

APT



2023

POWER TOOLS CATALOGUE





The Name You Can Trust

APT International

About:

With Decades of experience, APT International is a global emerging brand that is determined to lead, with solid experience in Product development, manufacturing, distributing, selling, and servicing world class products. We aspire to become a global brand that is trusted by our customers for our tools, accessories, and equipment.

Believing that to build a great tool you need great materials is the driver of our manufacturing process, and for that we source the absolute best raw materials and components to build the most powerful and efficient tool for our customers to rely on.

We put our customers at the heart of everything we do, and we make sure that our wide range of products is available for them in every market we enter through a strong network of central distribution centers, local distributors, and retailers. Complemented with a vast network of service centers equipped with highly qualified technicians delivering a world class customer service quality to ensure our customers complete satisfaction.

Our Values:

Reliability: Our tools are built to last, for our customers to trust that they will consistently deliver the same quality every time.

Quality: We have a passionate commitment to providing high quality tools that exceed our customers' expectations.

Value for Money: Our advanced production capabilities enable us to offer our customers an unmatched combination of reliability, quality & price.

Innovation: We continuously strive to bring innovative solutions, for our customers to have the tools they need to get the job done.

Customer Focus: Our customers are at the heart of everything we do, we listen to their needs and work to deliver what they desire.

TOOL FEATURES ICONS



Electrical cable length



Anti-vibration system

Dampened Handles/Mechanism reducing vibration and increasing comfort and productivity



Variable speed

Tool motor provides variable speeds for application versatility



Safety Clutch

Mechanical clutch reduces the kickback reaction protecting the operator



Soft Grip

Rubber handle soft grip for comfortable use



Anti-dust ventilation system



Packaging

Tool comes in a hard case



Heat dissipation system



SDS-Plus connection end



Stepless speed regulation

Varies the motor speed smoothly



SDS-Max connection end



Magnesium housing

Enclosing the gears and the hammering/drilling mechanism for better heat dissipation



HEX connection end



Aluminum housing

Enclosing the gears and the hammering/drilling mechanism for better heat dissipation



Hammering function for chiseling



Voltage/Frequency



Quick-release chuck

Detachable SDS chuck to be replaced with the additional HSS chuck



Motor Power



Reversible direction

Reverses the rotation direction to remove the drill bit if it stuck



Chainsaw bar length



Recommended breaking directions



Variable no-load speed



Recommended breaking directions



No-load speed



Recommended breaking directions



**M6
Class II**

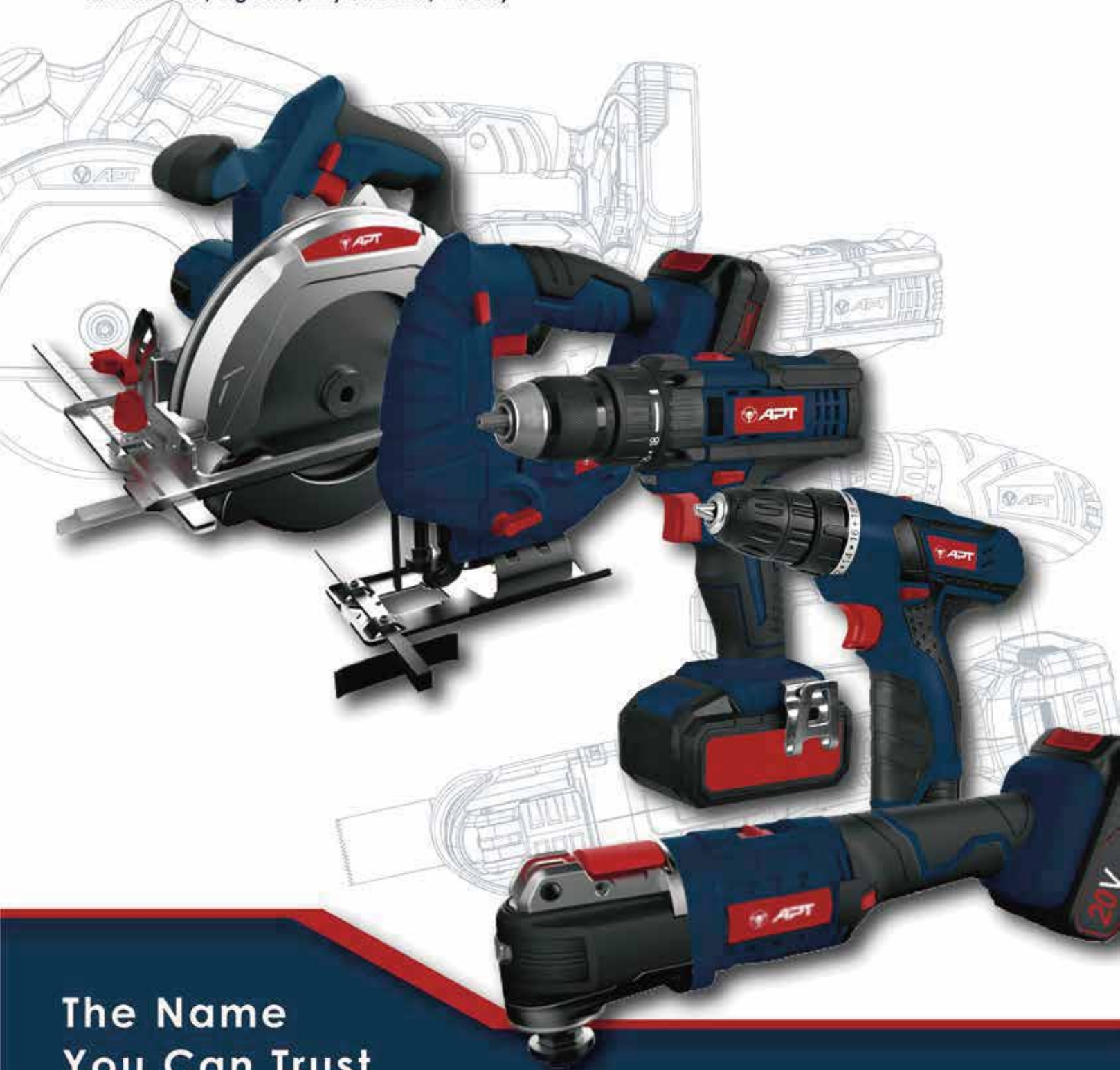
CONTENTS

CORDLESS TOOLS	3	CUT OFF SAW	34
DRILL DRIVERS	4-5	MULTI FUNCTION TOOL	34
IMPACT WRENCH	6		
IMPACT DRIVER	7	WOODWORKING TOOLS	35
DRYWALL SCREWDRIVER	7	CIRCULAR SAW	36
RECIPROCATING SAW	8	JIG SAW	36-37
JIG SAW	8	ROUTER	37
CIRCULAR SAW	8	SHEET SANDER	37
ANGLE GRINDER	9	PLANNER	38
MULTI TOOL	9	MITRE SAW	38-41
BLOWER	9		
CERAMIC VIBRATORS	10	OTHER TOOLS	43
BATTERIES AND CHARGERS	11	BLOWER	44-45
		HEAT GUN	45
DRILL DRIVERS	13	MIXER	46
ELECTRIC DRILL DRIVERS	14-15	DRYWALL SANDERS	46
ANGLE DRILL DRIVERS	15	CHAIN SAW	47
IMPACT DRILL DRIVERS	15-17	HEDGE SAW	47
DRILL HOLDER	17		
		High-pressure Cleaner	49-52
ROTARY HAMMERS	18-23		
		LED LIGHTS	53
DEMOLITION BREAKERS	25-27	HEAD LAMPS	54
		MINI TORCH	54
GRINDERS & METAL WORKING	29	STANDING FLASH LIGHTS	55
ANGLE GRINDER	30-32		
POLISHER	32		
MINI CRAFT	33		



CORDLESS TOOLS

Drill / Impact Wrench / Blower / Impact Driver / Reciprocating Saw / Angle Grinder / Multi Tool /
Circular Saw / Jig Saw / Drywall Drill / Battery



The Name
You Can Trust

DW15105

12V LI-ION Cordless Drill Driver

Compact Design and light weight for improved mobility
 Rubber handle for better tool grip
 Keyless chuck
 2-speed gears for high productivity and application versatility

TECHNICAL DATA

Voltage	12 V
Battery Capacity	1.3 Ah
Max. Torque	25 Nm
No-load Speed (gear1/gear2)	0-350/0-1350 rpm
Torque Settings	18+1
Chuck Capacity	10 mm
Max. Drilling Capacity (metal/wood)	10 mm/25 mm
Max. Screw Fastening Ø	8 mm
Weight	0.985 kg



DW15310

14.4V LI-ION Cordless Drill Driver

Compact Design and light weight for improved mobility
 Rubber handle for better tool grip
 Keyless chuck
 2-speed gears for high productivity and application versatility

TECHNICAL DATA

Voltage	14.4 V
Battery Capacity	1.3 Ah
Max. Torque	27 Nm
No-load Speed (gear1/gear2)	0-400/0-1450 rpm
Torque Settings	18+1
Chuck Capacity	10 mm
Max. Drilling Capacity (metal/wood)	10 mm/25 mm
Max. Screw Fastening Ø	8 mm
Weight	1.16 kg



DW15515

18V LI-ION Cordless Drill Driver

Compact Design and light weight for improved mobility
 Rubber handle for better tool grip
 Keyless chuck
 2-speed gears for high productivity and application versatility

TECHNICAL DATA

Voltage	18 V
Battery Capacity	1.3 Ah
Max. Torque	29 Nm
No-load Speed (gear1/gear2)	0-400/0-1450 rpm
Torque Settings	18+1
Chuck Capacity	10 mm
Max. Drilling Capacity (metal/wood)	10 mm/25 mm
Max. Screw Fastening Ø	8 mm
Weight	1.19 kg



DW15545

18V LI-ION Cordless Drill Driver

Improved ergonomic handle design with rubber
Better grip, comfortable handling and precise control
Keyless robust metal chuck
2-speed gears for high productivity and application versatility
LED working light

TECHNICAL DATA

Voltage	18 V
Battery Capacity	3.0 Ah
Max. Torque	45 Nm
No-load Speed (gear1/gear2)	0-400/0-1500 rpm
Torque Settings	18+1
Chuck Capacity	13 mm
Max. Drilling Capacity (metal/wood)	13 mm/25 mm
Max. Screw Fastening Ø	8 mm
Weight	1.8 kg



DW15555

18V LI-ION Cordless Drill Driver

Improved ergonomic handle design with rubber
Better grip, comfortable handling and precise control
Keyless robust metal chuck
2-speed gears for high productivity and application versatility
Brushless motor for improved maintenance intervals and less machine down time
LED working light

TECHNICAL DATA

Voltage	18 V
Battery Capacity	3.0 Ah
Max. Torque	55 Nm
No-load Speed (gear1/gear2)	0-400/0-1500 rpm
Torque Settings	22+1
Chuck Capacity	13 mm
Max. Drilling Capacity (metal/wood)	13 mm/25 mm
Max. Screw Fastening Ø	8 mm
Weight	1.835 kg



DW0100132

20V LI-ION Cordless Drill Driver

Improved ergonomic handle design with rubber
Better grip, comfortable handling and precise control
Keyless robust metal chuck
2-speed gears for high productivity and application versatility
LED working light

TECHNICAL DATA

Voltage	20 V
Battery Capacity	2.0 Ah
Max. Torque	40 Nm
No-load Speed (gear1/gear2)	0-450/0-1700 rpm
Torque Settings	18+1
Chuck Capacity	13 mm
Max. Drilling Capacity (metal/wood)	13 mm/25 mm
Max. Screw Fastening Ø	8 mm
Weight	1.8 kg



DW15715

18V LI-ION Cordless impact Wrench

Improved ergonomic handle design with rubber
 Better grip, comfortable handling and precise control
 High grade steel anvil for durability
 LED working light

TECHNICAL DATA

Voltage	18 V
Battery Capacity	3.0 Ah
Max. Torque	240 Nm
No-load Speed	2200 rpm
Impact Rate	3400bpm
Anvil type	Hog Ring 1/2"
Max.Bolt Diameter	22 mm
Weight	1.95 kg



DW15725

18V LI-ION Cordless impact Wrench Brushless

Improved ergonomic handle design with rubber
 Better grip, comfortable handling and precise control
 High grade steel anvil for durability
 Brushless motor for improved maintenance intervals and less machine down time
 LED working light

TECHNICAL DATA

Voltage	18 V
Battery Capacity	3.0 Ah
Max. Torque	320 Nm
No-load Speed	1600/2200 rpm
Impact Rate	2300/3300bpm
Anvil type	Hog Ring 1/2"
Max.Bolt Diameter	22 mm
Weight	1.835kg



DW0420435

20V LI-ION Cordless impact Wrench

Improved ergonomic handle design with rubber
 Better grip, comfortable handling and precise control
 High grade steel anvil for durability
 LED working light

TECHNICAL DATA

Voltage	20 V
Battery Capacity	4.0 Ah
Max. Torque	350 Nm
No-load Speed	2000 rpm
Impact Per Minute	3000 ipm
Max.Bolt Diameter	M36
Tool Holder	1/2" (12.7mm)
Bare Weight	2.0 kg



DW0320218

20V LI-ION Cordless Impact Driver

Improved ergonomic handle design with rubber
Better grip, comfortable handling and precise control
LED working light

TECHNICAL DATA

Voltage	20 V
Battery Capacity	2.0 Ah
Max. Torque	150 Nm
No-load Speed	2900 rpm
Impact Rate	3000 bpm
Max. Screw Fastening Ø	8*100mm
Tool Holder	1/4" (6.35mm)
Weight	1.12 kg



Storage Case



Battery x2



Charger



DW0700122

20V LI-ION Cordless Drywall Screwdriver

Screw depth adjustment knob
Compact and light weight
Better grip, comfortable handling and precise control
LED Working Light

TECHNICAL DATA

Voltage	20 V
Battery Capacity	2.0 Ah
Max. Torque	5 Nm
No-load Speed	4000 rpm
Tool Holder	1/4" (6.35mm)
Weight	0.97 kg



Storage Case



Battery x2



Charger



DW1000222 20V LI-ION Cordless Reciprocating Saw

Improved ergonomic handle design with rubber
 Better grip, comfortable handling and precise control
 3-stage orbital action provides efficient cutting through various materials
 Up to 45° left and right bevel capacity
 Perfect for detailed cuts, curved cuts and plunge cuts

TECHNICAL DATA

Voltage	20 V
Battery Capacity	2.0 Ah
No-load Stroke Rate	2800 spm
Stroke Length	22 mm
Bare Weight	1.8 kg



DW0800802 20V LI-ION Cordless Jig Saw

Improved ergonomic handle design with rubber
 Better grip, comfortable handling and precise control
 3-stage orbital action provides efficient cutting through various materials
 Up to 45° left and right bevel capacity
 Perfect for detailed cuts, curved cuts and plunge cuts

TECHNICAL DATA

Voltage	20 V
Battery Capacity	2.0 Ah
No-load Stroke Rate	2700 spm
Stroke Length	20mm
Bevel Capacity	45°
Max.depth of Cut [wood]	80 mm
Max.depth of Cut [metetal]	5 mm
Bare Weight	1.3 kg



DW0900204 20V LI-ION Cordless Circular Saw

Improved ergonomic handle design with rubber
 Better grip, comfortable handling and precise control
 Quick breaking for increased safety
 Built-in dust port for efficient dust extraction
 Improved blade cut and cut line visibility
 Light weight

TECHNICAL DATA

Voltage	20 V
Battery Capacity	4.0 Ah
No-load Speed	3500 rpm
Blade Diameter	165 mm
Blade Bore Diameter	20 mm
Bevel Capacity	45°
90° Max.depth of Cut	53 mm
45° Max.depth of Cut	38 mm
Bare Weight	2.6 kg



DW0501154

20V LI-ION Cordless Angle Grinder

Limited position lock switch
Ergonomic slim handle design for better grip
Reducing fatigue and safety hazards
Safety auxiliary handle

TECHNICAL DATA

Voltage	20 V
Battery Capacity	4.0 Ah
No-load Speed	8500 rpm
Cutting/Grinding Dia.	4.5" (115 mm)
Spindle Thread	M14
Weight	1.53 kg



Storage Case



Battery x2



Charger



DW0600062

20V LI-ION Cordless Multi-Tool

Limited position lock switch
Ergonomic slim handle design for better grip
Reducing fatigue and safety hazards
6-speed selector serves application versatility
LED Working Light

TECHNICAL DATA

Voltage	20 V
Battery Capacity	2.0 Ah
Oscillations/min	8000-16000 rpm
Oscillation Angle	3.0°
Weight	1.0 kg



Storage Case



Battery x2



Charger



DW15815

18V LI-ION Cordless Blower

Lock switch
Variable speed knob

TECHNICAL DATA

Voltage	18 V
Battery Capacity	1.5 Ah
No-load Speed	8000/10000/15500 rpm
Max. Air Volume	2.8 m ³ /min
Weight	1.48 kg



Storage Case



Battery x2



Charger



AH-8125DC12

12V LI-ION Cordless Ceramic Vibrator

Adsorption lock design
 Stepless vibration control
 Strong adsorption & for multi-size tiles
 Water level for accuracy
 LED Working Light

TECHNICAL DATA

Voltage	12 V
Battery Capacity	2.0 Ah
Vibration Frequency	12,000 rpm
Sucker Diameter	3.9 inch
Adsorption Capacity	100 lbs/45kg
Continuous Discharge Time	45 min



AH-8125DC20

20V LI-ION Cordless Ceramic Vibrator

Adsorption lock design
 Stepless vibration control
 Strong adsorption & for multi-size tiles
 Water level for accuracy
 LED Working Light

TECHNICAL DATA

Voltage	20 V
Battery Capacity	2.0 Ah
Vibration Frequency	12,000 rpm
Sucker Diameter	5.1 inch
Adsorption Capacity	110 lbs/45kg
Continuous Discharge Time	60 min



DW500020X 20V LI-ION Batteries

The shell composition is of ABS+TPE material
Power display function
Built-in safety fuse

DW5000202



TECHNICAL DATA

Voltage	20 V
Battery Capacity	2.0 Ah
Weight	0.40 kg



DW5000204

TECHNICAL DATA

Voltage	20 V
Battery Capacity	4.0 Ah
Weight	0.67 kg



DW550020X 20V Battery Chargers

Fast charging

DW5500202



TECHNICAL DATA

Voltage	20 V
Battery Capacity	2.0 Ah
Weight	0.38 kg



DW5500204

TECHNICAL DATA

Voltage	20 V
Battery Capacity	4.0 Ah
Weight	0.48 kg





APT



The Name
You Can Trust





APT

DRILLS

Electric Drill / Angle Drill / Impact Drill / Drill Holder



The Name
You Can Trust

DW01215

400W Electrical Drill Driver

Compact Design and light weight for improved mobility
 Better grip, comfortable handling and precise control
 Switch lock for comfortable continuous operation

TECHNICAL DATA

Voltage	220-240V 50~60 Hz
Power Input	400 W
No-load Speed	4300 rpm
Chuck Capacity (min/max):	1.0-6.0 mm
Max. drilling capacity (Metal/Wood):	6 -20 mm
Max. screw fastening Ø	6 mm
Weight	1.5 kg



DW01215L

400W Electrical Drill Driver with Keyless Chuck

Compact Design and light weight for improved mobility
 Better grip, comfortable handling and precise control
 Switch lock for comfortable continuous operation

TECHNICAL DATA

Voltage	220-240V 50~60 Hz
Power Input	400 W
No-load Speed	4300 rpm
Chuck Capacity (min/max):	1.0-6.0 mm
Max. drilling capacity (Metal/Wood):	6 -20 mm
Max. screw fastening Ø	6 mm
Weight	1.5 kg



DW01315

450W Electrical Drill Driver

Compact Design and light weight for improved mobility
 Better grip, comfortable handling and precise control
 Switch lock for comfortable continuous operation
 Variable speed knob

TECHNICAL DATA

Voltage	220-240V 50~60 Hz
Power Input	450 W
No-load Speed	4300 rpm
Chuck Capacity (min/max):	1.0-6.0 mm
Max. drilling capacity (Metal/Wood):	6 -20 mm
Max. screw fastening Ø	6 mm
Weight	1.5 kg



DW01315L 450W Electrical Drill Driver with Keyless Chuck

Compact Design and light weight for improved mobility
 Better grip, comfortable handling and precise control
 Switch lock for comfortable continuous operation
 Variable speed knob

TECHNICAL DATA

Voltage	220-240V 50~60 Hz
Power Input	450 W
No-load Speed	4300 rpm
Chuck Capacity (min/max):	1.0-6.0 mm
Max. drilling capacity (Metal/Wood):	6 -20 mm
Max. screw fastening Ø	6 mm
Weight	1.5 kg



DW01520 500W Electrical Right Angle Drill Driver

Compact Design and light weight for improved mobility
 Better grip, comfortable handling and precise control
 LED working light

TECHNICAL DATA

Voltage	220-240V 50~60 Hz
Power Input	500 W
No Load Speed	1200 rpm
Chuck Capacity:	10 mm
Max. drilling capacity (Metal/Wood)	10 -25 mm
Weight	2.0 kg



DW02635 650W Compact Electrical Impact Drill

Robust and compact design
 Better grip, comfortable handling and precise control
 Switch lock for comfortable continuous operation
 Variable speed knob
 2 - mode switch for Drilling and Hammer Drilling
 Adjustable depth gauge

TECHNICAL DATA

Voltage	220-240V 50~60 Hz
Power Input	650 W
No-load Speed	3000 rpm
Chuck Capacity (min/max)	1.5-13 mm
Max. drilling capacity (Metal/Wood/Masonry)	(10-25-13)mm
Weight	2.2 kg



DW02645

750W Compact Electrical Impact Drill

Robust and compact design
 Better grip, comfortable handling and precise control
 Switch lock for comfortable continuous operation
 Variable speed knob
 2 - mode switch for Drilling and Hammer Drilling
 Adjustable depth gauge

TECHNICAL DATA

Voltage	220-240V 50-60 Hz
Power Input	750 W
No-load Speed	3000 rpm
Chuck Capacity (min/max)	1.5-13 mm
Max. drilling capacity (Metal/Wood/Masonry)	(10-25-13)mm
Weight	2.5 kg



DW02655

850W Compact Electrical Impact Drill

Robust and compact design
 Better grip, comfortable handling and precise control
 Switch lock for comfortable continuous operation
 Variable speed knob
 2 - mode switch for Drilling and Hammer Drilling
 Adjustable depth gauge

TECHNICAL DATA

Voltage	220-240V 50-60 Hz
Power Input	850 W
No-load Speed	3000 rpm
Chuck Capacity (min/max)	1.5-13 mm
Max. drilling capacity (Metal/Wood/Masonry)	(10-25-13)mm
Weight	2.8 kg



DW02775

1050W Electrical Impact Drill

Robust Design with a powerful motor
 Better grip, comfortable handling and precise control
 Switch lock for comfortable continuous operation
 Variable speed knob
 2-mode switch for Drilling and Hammer Drilling
 Adjustable depth gauge

TECHNICAL DATA

Voltage	220-240 V / 50-60 Hz
Power Input	1050 W
No-load Speed	1100/ 3000 rpm
Chuck Capacity (min/max)	1.5-13 mm
Max. drilling capacity (Metal/Wood/Masonry)	(13-25-10)mm
Weight	3.5 kg



DW02795

1050W Compact Electrical Impact Drill

Robust and compact design
Better grip, comfortable handling and precise control
Switch lock for comfortable continuous operation
Variable speed knob
2-mode switch for Drilling and Hammer Drilling
Adjustable depth gauge

TECHNICAL DATA

Voltage	220-240V 50~60 Hz
Power Input	1050 W
No-load Speed	2800 rpm
Chuck Capacity (min/max)	1.5/13 mm
Max. drilling capacity (Metal/Wood/Masonry)	(10-25-13)mm
Weight	2.6 kg



DW55205

Drill Holder

Ideal for use with electric drills-suitable for all standard models, with robust slide & pivot mechanism and sturdy cast iron base plate
Strength-reinforcing lever with spring return for comfortable, accurate use
Rotation angle 180° and Adjustable restraints with protective buffers
Heavier cast iron base, more stable and small swing, less working deviation
Suitable for standard models
Robust slide with a pivot mechanism & sturdy cast iron plate
Increased precision during operation
Up to 180° rotation and adjustable restraints with protective buffer

TECHNICAL DATA

Drilling Capacity	60mm
Maximum Clamping Diameter	43mm
Maximum Rotation Angle	180°



APT



APT

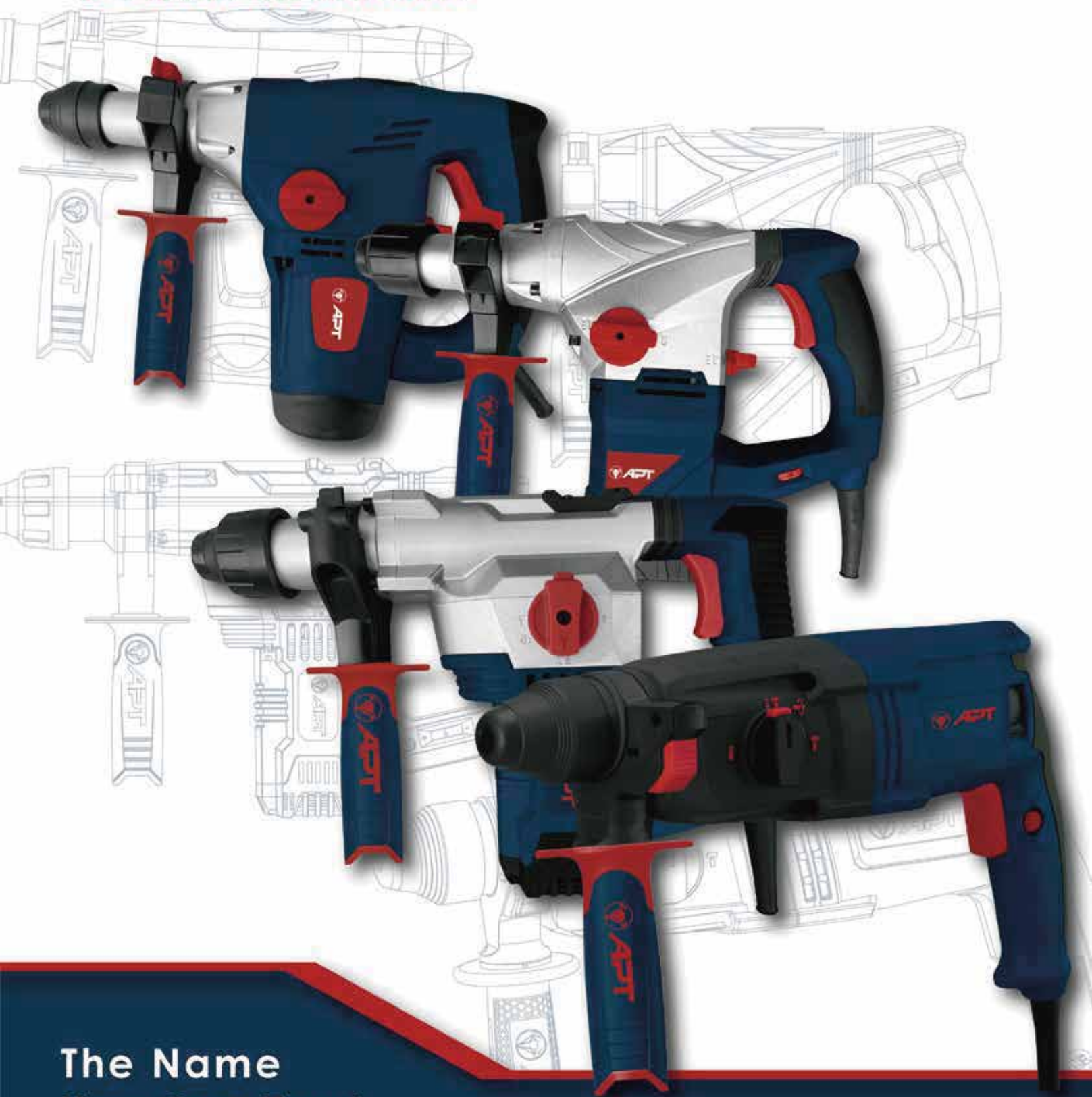


The Name
You Can Trust





ROTARY HAMMERS



The Name
You Can Trust

DW26QCC 800W Rotary Hammer

Sturdy motor providing high performance
 Powerful pistol grip multi purpose
 Light chiseling function
 Comes with a detachable chuck

TECHNICAL DATA

Voltage	220-240V 50~60 Hz
Power Input	800 W
No-load Speed	1300 rpm
Impact Rate	5500 bpm
Max.Drill Capacity [Concrete]	26 mm
Max.Drill Capacity [Steel]	13 mm
Max.Drill Capacity [Wood]	30 mm
Weight	2.7 kg



DW2621 800W Rotary Hammer

Sturdy motor providing high performance
 Powerful pistol grip multi purpose
 Light chiseling function

TECHNICAL DATA

Voltage	220-240V 50~60 Hz
Power Input	800 W
No-load Speed	1300 rpm
Impact Rate	5500 bpm
Max.Drill Capacity [Concrete]	26 mm
Max.Drill Capacity [Steel]	13 mm
Max.Drill Capacity [Wood]	30 mm
Weight	2.8 kg



DW2601 800W Rotary Hammer

Sturdy motor providing high performance
 Powerful pistol grip multi purpose
 Light chiseling function

TECHNICAL DATA

Voltage	220-240V 50~60 Hz
Power Input	800 W
No-load Speed	1100 rpm
Impact Rate	4900 bpm
Max.Drill Capacity [Concrete]	26 mm
Max.Drill Capacity [Steel]	13 mm
Max.Drill Capacity [Wood]	30 mm
Weight	2.7 kg



Rotary Hammers

DW26G-V2

850W Rotary Hammer

Sturdy design providing more space for motor and mechanism
Powerful D-handle multi purpose
Better grip
Safety manual clutch

TECHNICAL DATA

Voltage	220-240V 50~60 Hz
Power Input	850 W
No-load Speed	1000 rpm
Impact Rate	3150 bpm
Impact Energy	4.5 J
Max.Drill Capacity (Concrete/Steel/Wood)	26/13/40 mm
Weight	4.7 kg



DW32HT

1250W Rotary Hammer

Sturdy design providing more space for motor and mechanism
Powerful D-handle multi purpose
Better grip
Safety clutch
Anti vibration system to reduce fatigue & increase productivity

TECHNICAL DATA

Voltage	220-240V 50~60 Hz
Power Input	1250 W
No-load Speed	300-1050 rpm
Impact Rate	1200-4200 bpm
Impact Energy	5.0 J
Max.Drill Capacity [Concrete/Steel/Wood]	32/13/40 mm
Weight	4.5kg



DW36DT

1500W Rotary Hammer

Sturdy design providing more space for motor and mechanism
Powerful D-handle multi purpose
Better grip
Safety clutch

TECHNICAL DATA

Voltage	220-240V 50~60 Hz
Power Input	1500 W
No-load Speed	340-780 rpm
Impact Rate	1100-2700 bpm
Impact Energy	5.0 J
Max.Drill Capacity [Concrete/Steel/Wood]	36/13/40 mm
Weight	5.0 kg



DW36HT

1500W Rotary Hammer

Sturdy design providing more space for motor and mechanism
 Powerful D-handle multi purpose
 Better grip
 Safety clutch
 Anti vibration system to reduce fatigue & increase productivity

TECHNICAL DATA

Voltage	230-220V ~50Hz
Power Input	1500 W
No-load Speed	200-750 rpm
Impact Rate	1000-3000 bpm
Impact Energy	5.0 J
Max.Drill Capacity [Concrete/CSteel/wood]	36/13/40 mm
Weight	5.0 kg



DW36PT

1500W Rotary Hammer

Sturdy design providing more space for motor and mechanism
 Powerful D-handle multi purpose
 Better grip
 Safety clutch
 Anti vibration system to reduce fatigue & increase productivity

TECHNICAL DATA

Voltage	230-220V ~50Hz
Power Input	1500 W
No-load Speed	800 rpm
Impact Rate	3600 bpm
Impact Energy	5.0 J
Max.Drill Capacity [Concrete/Steel/Wood]	36/13/40 mm
Weight	5.8 kg



DW40B

1250W Rotary Hammer

Sturdy design providing more space for motor and mechanism
 Powerful D-handle multi purpose
 Better grip
 Safety clutch
 Anti vibration system to reduce fatigue & increase productivity

TECHNICAL DATA

Voltage	230-220V ~50Hz
Power Input	1250 W
No-load Speed	450 rpm
Impact Rate	2800 bpm
Impact Energy	10 J
Max.Drill Capacity [Concrete/Steel/Wood]	38/13/50 mm
Max.Drill Capacity [Core Bit]	90 mm
Weight	6.8 kg



DW50A2T

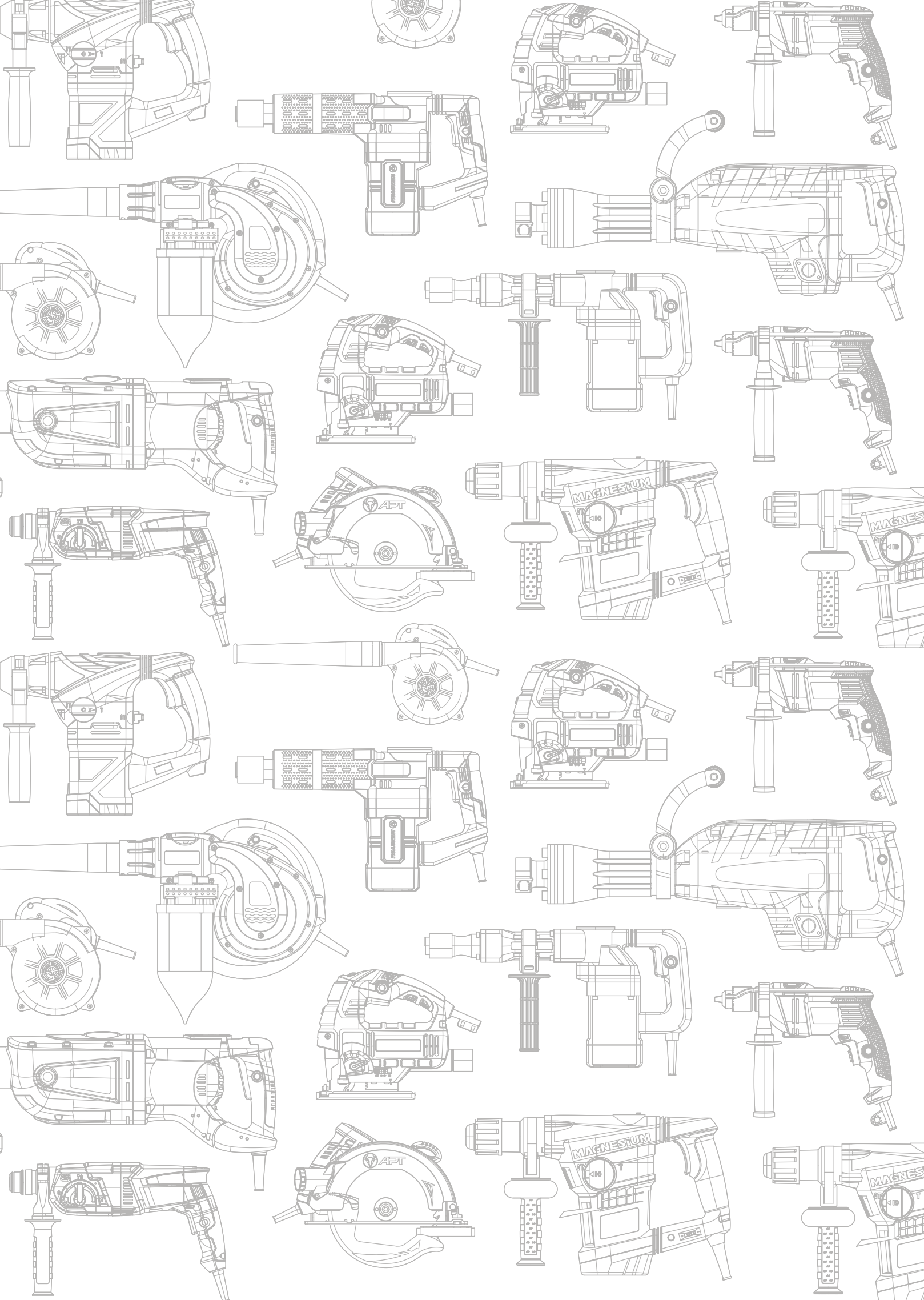
1700W Rotary Hammer

Die cast magnesium alloy casting for better heat dissipation, lighter weight and no rustiness
Soft grip
Anti vibration system to reduce fatigue & increase productivity
Overload safety clutch

TECHNICAL DATA

Voltage	230~220V ~50Hz
Power Input	1700 W
No-load Speed	340-200 rpm
Impact Rate	1900-850 bpm
Impact Energy	27 J
Max. Drill Capacity [Concrete]	50 mm
Weight	12 kg







DEMOLITION BREAKERS



The Name
You Can Trust

DW10C

1010W Demolition Breaker

Simple and compact design
 Versatile for light duty chiseling in concrete and masonry
 Spring anti-vibration system reducing fatigue and increasing productivity
 Ergonomic handle design with soft grip

TECHNICAL DATA

Voltage	220-240V 50~60 Hz
Power Input	1010 W
Impact Rate	2900 bpm
Impact Energy	10 J
Weight	5.3 kg



DW10D

1350W Demolition Breaker

Simple and compact design
 Versatile for light duty chiseling in concrete and masonry
 Spring anti-vibration system reducing fatigue and increasing productivity
 Ergonomic handle design with soft grip

TECHNICAL DATA

Voltage	220-240V 50~60 Hz
Power Input	1350 W
Impact Rate	2900 bpm
Impact Energy	10 J
Weight	5.5 kg



DW15D

1300W Demolition Breaker

Powerful demolition hammer for heavy duty chiseling in concrete and masonry
 Spring anti-vibration system reducing fatigue and increasing productivity
 Ergonomic handle design with soft grip

TECHNICAL DATA

Voltage	220-240V 50~60 Hz
Power Input	1300 W
Impact Rate	2400 bpm
Impact Energy	20 J
Weight	7.0 kg



DW65

1500W Demolition Breaker

Versatile breaker for demolishing, chiseling floors and occasional wall applications
Ergonomic handle design with soft grip
Lock switch for continuous use

TECHNICAL DATA

Voltage	220-240V 50~60 Hz
Power Input	1500 W
Impact Rate	1150 bpm
Impact Energy	40 J
Weight	14 kg



DW45

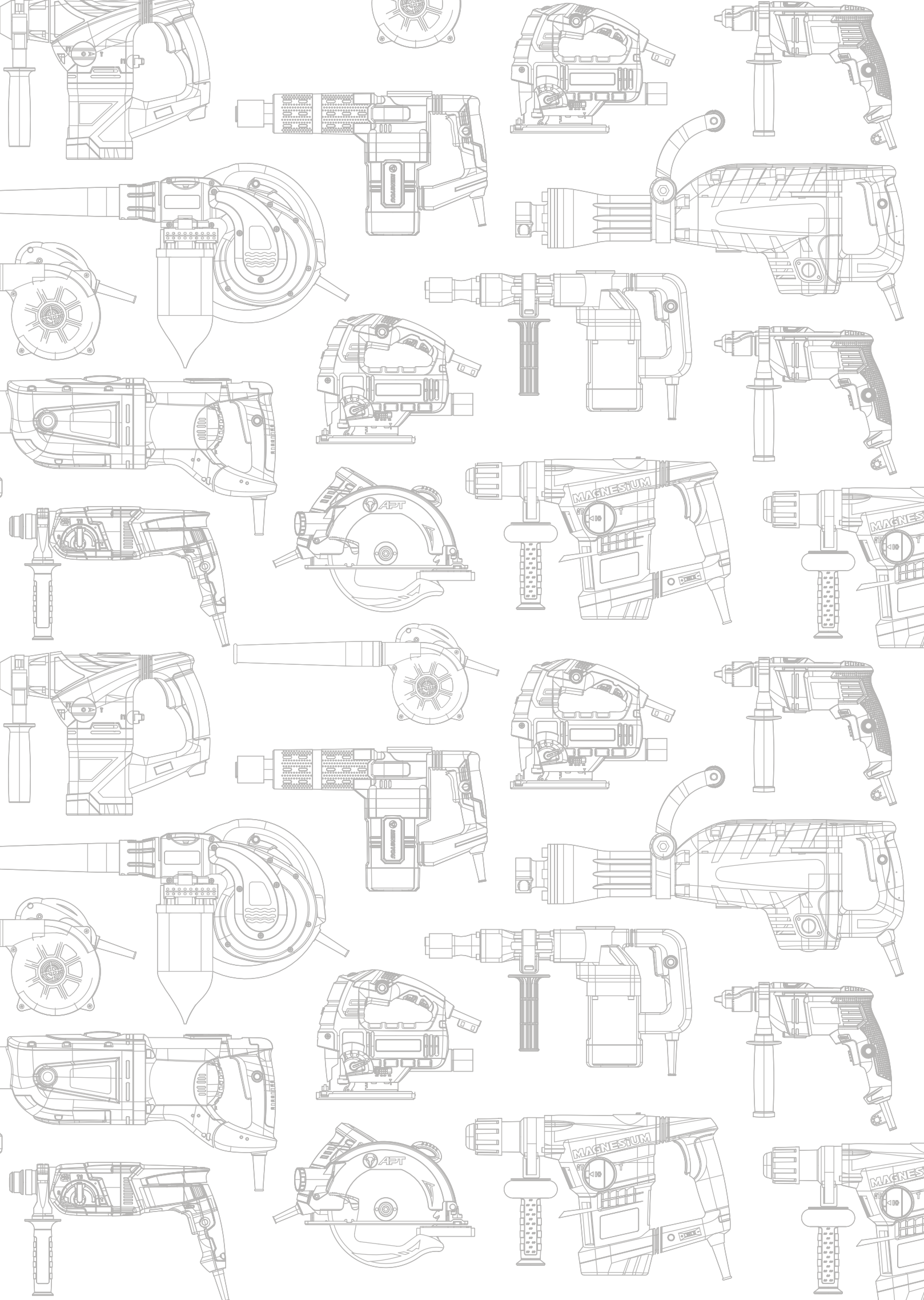
1700W Demolition Breaker

Versatile breaker for demolishing, chiseling floors and occasional wall applications
Ergonomic handle design with soft grip
Lock switch for continuous use

TECHNICAL DATA

Voltage	220-240V 50~60 Hz
Power Input	1700 W
Impact Rate	1300 bpm
Impact Energy	45 J
Weight	15.5 kg







GRINDERS & METAL WORKING

Angle Grinder / Polisher / Mini Craft / Cut Off Saw / Multi Function Tool



The Name
You Can Trust

DW05215-V2 600W Angle Grinder 4.5"

With a well designed grip
Lock on slide switch
Two position side handle
Lightweight and compact design

TECHNICAL DATA

Voltage	220-240V 50~60 Hz
Power Input	600 W
Hole Diameter of Disc	22mm 4.5"/115mm
Spindle Thread	M14
Cord Length	2m
No-load Speed	11000 r /min
Weight	2.15 kg



DW05340-V2 850W Angle Grinder 5"

With a well designed grip
Lock on slide switch
Two position side handle
Lightweight and compact design

TECHNICAL DATA

Voltage	220-240V 50~60 Hz
Power Input	850 W
No-load Speed	11000 rpm
Disc Diameter	125 mm
Weight	2.05 kg



DW05372 1150W Angle Grinder 5"

Variable speed control dial enables user to match the speed to the application
Constant speed control automatically applies additional power to the motor to maintain speed under load
Soft start suppresses start-up reaction for smooth start-ups and longer gear life

TECHNICAL DATA

Voltage	220-240V 50~60 Hz
Power Input	1150 W
No-load Speed	11000 rpm
Disc Diameter	125 mm
Weight	2 kg



GRINDERS & METAL WORKING

DW05370-V2 / 1150W Angle Grinder 5"

With a well designed grip
Lock on side switch
Two position side handle
Compact Design and light weight for improved mobility
Better, more comfortable grip via the long handle

TECHNICAL DATA

Voltage	220-240V 50~60 Hz
Power Input	1150 W
No-load Speed	11000 rpm
Disc Diameter	125 mm
Weight	2.5 kg



DW05555 / 1500W Angle Grinder 7"

3-position adjustable side handle of hand grinder allows greater control in multiple positions
Single-wrench wheel changes with spindle-lock button

TECHNICAL DATA

Voltage	220-240V 50~60 Hz
Input Power	1500 W
No-load Speed	8500 rpm
Max. Dis Diameter	180mm
Weight	2.6 kg



DW05665 / 2600W Angle Grinder 9"

3-position adjustable side handle of hand grinder allows greater control in multiple positions
Single-wrench wheel changes with spindle-lock button

TECHNICAL DATA

Voltage	220-240V 50~60 Hz
Input Power	2600 W
No-load Speed	8500 rpm
Max. Dis Diameter	230 mm
Weight	7.1kg



DW-05625V2 2200W Angle Grinder 9"

3-position adjustable side handle of hand grinder allows greater control in multiple positions
Single-wrench wheel changes with spindle-lock button

TECHNICAL DATA

Voltage	220-240V 50~60 Hz
Input Power	2200 W
No-load Speed	6000 rpm
Max. Dis Diameter	230 mm
Weight	5.7 kg



DW06350-V2 1200W Polisher 7"

Polisher comes with two detachable handles
Safe-switch lock design
Can use different sponge wheel to finish different application
This rotary polisher is ideal for polishing and removing swirls, scratches, and defects from all painted vehicles

TECHNICAL DATA

Voltage	220-240V 50~60 Hz
Power Input	1200 W
No-load Speed	3000-600 rpm
Max. Disc Diameter	180 mm
Weight	2.8 kg



DW06300 720W Orbital Polisher 6"

The power of the machine is sufficient to provide stable output
The machine with constant speed function, can provide stable speed
Machine holding conforms to ergonomics, can reduce labor fatigue
The machine has large eccentricity, which can provide grinding efficiency

TECHNICAL DATA

Voltage	220-240V 50~60 Hz
Input Power	720 W
No-load Speed	5000-2100 rpm
Pad size	150 mm
Weight	3.25 kg



GRINDERS & METAL WORKING

DW06412

135W Mini Craft

High-Performance Motor at all speeds
Variable speed for accessory versatility and precise tool control
Durable high speed bearing

TECHNICAL DATA

Voltage	220-240V 50~60 Hz
Input Power	135 W
No-load Speed	32000-10000 rpm
Chuck Capacity	Max 3.2mm
Weight	0.7 kg



DW06416

170W Mini Craft

High quantity bearing
Soft grip
More accessories

TECHNICAL DATA

Voltage	220-240V 50~60 Hz
Input Power	170W
No-load Speed	35000-8000 rpm
Chuck Capacity	Max 3.2mm
Weight	1.8 kg



DW06419

200W Mini Craft

High quantity bearing
Soft grip
More accessories

TECHNICAL DATA

Voltage	220-240V 50~60 Hz
Input Power	200W
No-load Speed	40000-10000 rpm
Max Chuck Capacity	3.2mm
Weight	1.9 kg



DW07351

2700W Cut off Saw 14"

Powerful motor for heavy duty operating
 Humanized design of the soft rubber handle, feel more comfortable
 Thicker and heavier base, providing more stability and precision during cutting
 Big half cover, for operator safety

TECHNICAL DATA

Voltage	220-240V 50~60 Hz
Input Power	2700W
No-load Speed	4000 rpm
Blade Diameter	355mm (14")
Max. Depth of Cut	100mm
Weight	14.7kg



DW07353

3000W Cut off Saw 14"

Powerful motor for heavy duty operating
 Humanized design of the soft rubber handle, feel more comfortable
 Thicker and heavier base, providing more stability and precision during cutting
 Big half cover, for operator safety

TECHNICAL DATA

Voltage	220-240V 50~60 Hz
Input Power	3000W
No-load Speed	3600 rpm
Blade Diameter	355mm (14")
Max. Depth of Cut	100mm
Weight	17.5kg



DW06512

300W Multi Function tool

Limited position lock switch
 Ergonomic slim handle design for better grip
 Reducing fatigue and safety hazards
 6-speed selector serves application versatility
 LED Working Light

TECHNICAL DATA

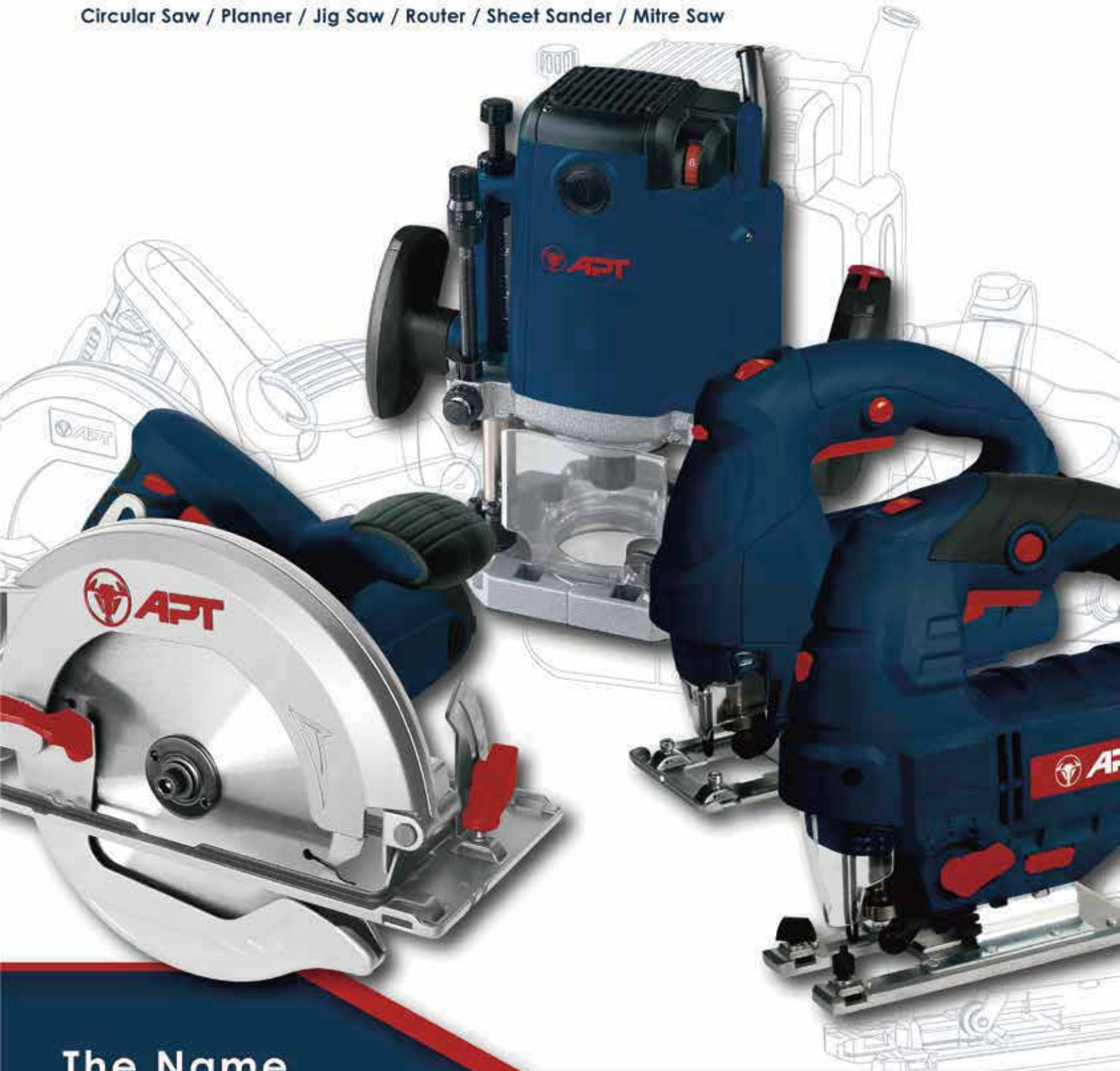
Voltage	220V~ 60Hz
Input Power	300W
Oscillation Speed	22000-15000 rpm
Oscillation Angle	3°
Weight	1.4 kg





WOODWORKING TOOLS

Circular Saw / Planner / Jig Saw / Router / Sheet Sander / Mitre Saw



The Name
You Can Trust

DW07220-V2

1200W Circular Saw 7 1/4"

Adjustable base plate height
Adjustable angle up to 45°
Improved ergonomic handle design
Better grip, comfortable handling and precise control

TECHNICAL DATA

Voltage	220-240V 50~60 Hz
Input Power	1200W
No-load Speed	4700 rpm
Saw Depth	63mm
Weight	4.3 kg



DW07340

2200W Circular Saw 9"

Strong aluminum housing for motor protection
Adjustable base plate height
Adjustable angle up to 45°
Improved ergonomic handle design
Better grip, comfortable handling and precise control

TECHNICAL DATA

Voltage	220-240V 50~60 Hz
Input Power	2200W
No-load Speed	4500 rpm
Dics Diameter	235 mm
Weight	7.8 kg



DW07405

570W Jig saw

Variable 6-speed
3 Position pendulum
Blower and vacuum function power
Blade quick chuck

TECHNICAL DATA

Voltage	220-240V 50~60 Hz
Input Power	570 W
No-load Speed	3000 rpm
Max.Depth of cut[Wood]	65mm
Max.Depth of cut[Stell]	8mm
Weight	1.8 kg



DW07455

800W Jig saw

Variable 6-speed
Adjustable Base Plate up to 45°
3-position pendulum

TECHNICAL DATA

Voltage	220-240V 50~60 Hz
Input Power	800 W
No-load Speed	3000 rpm
Max.Depth of cut[Wood]	110mm
Max.Depth of cut[Steel]	10mm
Weight	2.5 kg



DW08490

2100W Electric Router

Can be placed upside down for easier bit replacement
Precision cutting depth adjustment
Ergonomically contoured knob style handles
Speed control dial
Trigger switch

TECHNICAL DATA

Voltage	220V~ 60Hz
Input Power	2100W
No-load Speed	9000-22000 rpm
Collet diameter	12mm
Plunge Capacity	Up to 70mm
Weight	6 kg



DW08204

300W Sheet Sander

Dust box for clean and efficient sanding with extended sandpaper life
Comfortable clamp lever for easy sand paper installation
Engineered to operate at low noise level with reduced vibration
Large trigger switch and lock-on button for comfortable use during extensive work
Sands wood or metal and removes paint and rust

TECHNICAL DATA

Voltage	220-240V 50~60 Hz
Power Input	300 W
Belt Speed(No-Load)	6000-12000 rpm
Belt Dimensions	230 x 115 mm
Weight	2.6kg



DW08300 560W Electric Planner

Reduced wood chip blockage via an improved air flow design
 Self locking cap for comfortable use
 Improved ergonomic handle design
 Better grip, comfortable handling and precise control

TECHNICAL DATA

Voltage	220-240V 50~60 Hz
Input Power	560W
No-load Speed	16000 rpm
Planing width	82mm
Planing depth	Up to 1mm
Rabeling depth	Up to 10mm
Weight	3.6 kg



DW07705 900W Miter 7 1/4"

Adjustable tilt up to 45
 Improved ergonomic handle design
 better grip, comfortable handling and precise control
 Light weight and compact
 Aluminium base plate

TECHNICAL DATA

Voltage	220-240V 50~60 Hz
Input Power	900 W
No-load Speed	5500 rpm
Blade Diameter	190 MM
Blade Teeth	24 T
Blade Arbour	30 MM
Weight	5.4 kg



DW07715 1400W/1600W Compound Miter Saw 8"

Tilt adjustable at 45°
 Easy to carry
 Shaft lock for easier blade changing
 Aluminium base plate for stable working

TECHNICAL DATA

Voltage	220-240V 50~60 Hz
Input Power	1400W S1 ,1600W S6 25%
No-load Speed	5500 rpm
Blade Diameter	216 mm
Saw Blade Bore Diameter	φ30 24T
Saw Body Tiltting Range	0~45
Table Tiltting Range	L45 ~R45
Max. workpiece dimensions 0°/90°	45x115 mm
Max. workpiece dimensions 45°/90°	45x80 mm
Max. workpiece dimensions 0°/45°	30x115 mm
Max. workpiece dimensions 45°/45°	27x80 mm
Weight	9.4 kg



DW07716

1200W Miter Saw 8"

Stronger motor for heavy duty operating
Extra wide die cast base provides stability when cutting a work piece
Tool-free 45° adjustable fence allows for fast and accurate angle cuts
Improved ergonomic handle design
Better grip, comfortable handling and precise control

TECHNICAL DATA

Voltage	220-240V 50~60 Hz
Input Power	1200W
No-load Speed	4500 rpm
Blade Diameter	(8) 210mm
Max. workpiece dimensions 0°/90°	45x115 mm
Max. workpiece dimensions 45°/90°	45x80 mm
Max. workpiece dimensions 0°/45°	30x115 mm
Max. workpiece dimensions 45°/45°	27x80 mm
Weight	7 kg



DW07742

1800W Compound Miter Saw 10"

Patented double bell structure
Extra wide die cast base providing stability during the cutting process
Tool-free 45° provides stability when cutting work
Improved ergonomic handle design
Better grip, comfortable handling and precise control

TECHNICAL DATA

Voltage	220-240V 50~60 Hz
Input Power	1800W
No-load Speed	3500 rpm
Blade Diameter	254 mm
Saw Blade Bore Diameter	φ60, 30T
Saw Body Tilting Range	0~45
Table Tilting Range	L45 ~R45
Max. workpiece dimensions 0°/90°	70x140 mm
Max. workpiece dimensions 45°/90°	70x100 mm
Max. workpiece dimensions 0°/45°	42x140 mm
Max. workpiece dimensions 45°/45°	42x100 mm
Weight	13.85 kg



DW07743

2000W Miter Saw 10"

Patented double bell structure
2000W high power motor
Tool-free 45° adjustable fence allows for fast and accurate angle cuts
Improved ergonomic handle design
Better grip, comfortable handling and precise control

TECHNICAL DATA

Voltage	220-240V 50~60 Hz
Input Power	2000W
No-load Speed	5000 rpm
Blade Diameter	10" (254 mm)
Max. workpiece dimensions 0°/90°	70x140 mm
Max. workpiece dimensions 45°/90°	70x100 mm
Max. workpiece dimensions 0°/45°	42x140 mm
Max. workpiece dimensions 45°/45°	42x100 mm
Weight	12.7 kg



DW07745

1800W Induction Motor Sliding Miter Saw 10"

Patented double bell structure
 Extra wide die cast base providing stability during the cutting process
 Tool-free 45° provides stability when cutting work
 Improved ergonomic handle design
 Better grip, comfortable handling and precise control

TECHNICAL DATA

Voltage	220-240V 50~60 Hz
Input Power	1800W
No-load Speed	2950 rpm
Blade Diameter	254 mm
Saw Blade Bore Diameter	φ30, φ25.4mm
Saw Body Tilting Range	0~45
Table Tilting Range	L45 ~R45
Max. workpiece dimensions 0°/90°	70x140 mm
Max. workpiece dimensions 45°/90°	70x100 mm
Max. workpiece dimensions 0°/45°	42x140 mm
Max. workpiece dimensions 45°/45°	42x100 mm
Weight	18.55 kg



DW07751

2200W Miter Saw 12"

Extra wide die cast base providing stability during the cutting process
 Tool-free 45° provides stability when cutting work
 Improved ergonomic handle design
 Better grip, comfortable handling and precise control

TECHNICAL DATA

Voltage	220-240V 50~60 Hz
Input Power	2200W
No-load Speed	4000 rpm
Blade Diameter	(12) 305mm
Max. workpiece dimensions 0°/90°	65x190 mm
Max. workpiece dimensions 45°/90°	65x140 mm
Max. workpiece dimensions 0°/45°	45x195 mm
Max. workpiece dimensions 45°/45°	45x135 mm
Weight	16.5 kg



DW07755

2200W Belt Driven Miter Saw 12"

Patented double bell structure
 Extra wide die cast base providing stability during the cutting process
 Tool-free 45° provides stability when cutting work
 Improved ergonomic handle design
 Better grip, comfortable handling and precise control

TECHNICAL DATA

Voltage	220-240V 50~60 Hz
Input Power	2200W
No-load Speed	4500 rpm
Blade Diameter	12" (305 mm)
Max. workpiece dimensions 0°/90°	65x190 mm
Max. workpiece dimensions 45°/90°	65x140 mm
Max. workpiece dimensions 0°/45°	45x195 mm
Max. workpiece dimensions 45°/45°	45x135 mm
Weight	23 kg



DW07762

1800W Compound Miter Saw 12"

Patented double bell structure
 Extra wide die cast base providing stability during the cutting process
 Tool-free 45° provides stability when cutting work
 Improved ergonomic handle design
 Better grip, comfortable handling and precise control

TECHNICAL DATA

Voltage	220-240V 50~60 Hz
Input Power	1800W
No-load Speed	3500 rpm
Blade Diameter	305 mm
Saw Blade Bore Diameter	φ30 φ25.4mm
Saw Body Tilting Range	0~45
Table Tilting Range	L45 ~R45
Max. workpiece dimensions 0°/90°	65x190 mm
Max. workpiece dimensions 45°/90°	65x140 mm
Max. workpiece dimensions 0°/45°	45x195 mm
Max. workpiece dimensions 45°/45°	45x135 mm
Weight	16.3 kg



DW07765

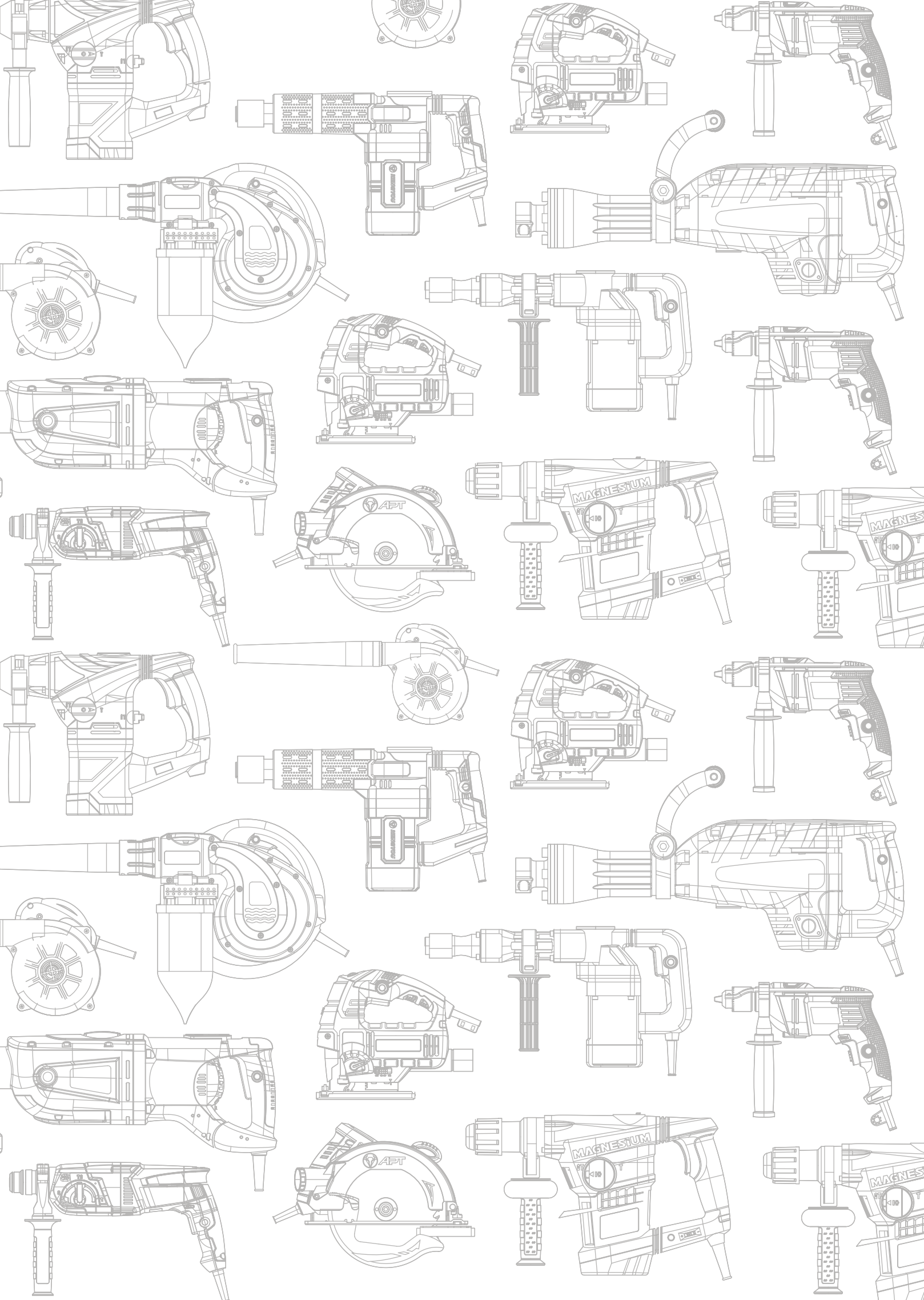
1800W Sliding Miter Saw Belt 12"

Patented double bell structure
 Extra wide die cast base providing stability during the cutting process
 Tool-free 45° provides stability when cutting work
 Improved ergonomic handle design
 Better grip, comfortable handling and precise control

TECHNICAL DATA

Voltage	220-240V 50~60 Hz
Input Power	1800W
No-load Speed	3500 rpm
Blade Diameter	305 mm
Saw Blade Bore Diameter	φ30 φ25.4mm
Saw Body Tilting Range	0~45
Table Tilting Range	L45 ~R45
Max. workpiece dimensions 0°/90°	65x190 mm
Max. workpiece dimensions 45°/90°	65x140 mm
Max. workpiece dimensions 0°/45°	45x195 mm
Max. workpiece dimensions 45°/45°	45x135 mm
Weight	21.45 kg







OTHER TOOLS

Blower / Heat Gun / Mitre / Drywall Sander / Chain Saw / Hedge Saw



The Name
You Can Trust

DW09320A 450W Electric Blower

Double function (In/Out)
with lock on switch for easy control
Light weight suitable for home use

TECHNICAL DATA

Voltage	220-240V 50~60 Hz
Input Power	450W
No-load Speed	13000 rpm
Blowing Rate	2.3 m ³ /min
Weight	1.24 kg



DW09320A-V2 450W Electric Blower

Long life, easy operation
High temperature resistant copper wire
Strong power,high efficient and durable

TECHNICAL DATA

Voltage	220-240V 50~60 Hz
Input Power	450W
No-load Speed	13000 rpm
Blowing Rate	2.3 m ³ /min
Weight	1.54 kg



DW-09370V2 600W Electric Blower

Long life, easy operation
High temperature resistant copper wire
Strong power,high efficient and durable

TECHNICAL DATA

Voltage	220-240V 50~60 Hz
Input Power	600W
No-load Speed	15000-5000 rpm
Blowing Rate	2.8 m ³ /min
Weight	1.66 kg



DW09800

650W Electric Blower

Double function (In/Out)
 Large cloth bag, firm and durable
 Efficient motor
 Less heat generation over long periods of operation

TECHNICAL DATA

Voltage	220-240V 50~60 Hz
Input Power	650W
No-load Speed	14000 rpm
Blowing Rate	2.8 m ³ /min
Weight	2.11 kg



DW09220

1500W Heat Gun

Powerful 1500-watt
 2-stage temperature selection for a variety of applications
 Compact, robust and durable

TECHNICAL DATA

Voltage	220-240V 50~60 Hz
Input Power	1500W
Temperature	300/500 °C
Airflow	420/240 L/m
Weight	0.62kgs



DW09250

2000W Heat Gun

Powerful 2000-watt
 2-stage temperature selection for a variety of applications
 Compact, robust and durable

TECHNICAL DATA

Voltage	220-240V 50~60 Hz
Input Power	2000W
Temperature	350/600 °C
Airflow	---/480 L/min
Weight	0.75kgs



DW09520

1220W Electric Mixer

Variable speed dial for optimized performance
 Lock-on switch for continuous operation
 Compact and robust design for improved control

TECHNICAL DATA

Voltage	220-240V 50~60 Hz
Power Input	1220 W
No-load Speed	800 rpm
Paddle connection thread	M14
Max. mixing paddle size	120mm
Weight	3.0 kg



DW08249

710W Drywall and Ceiling Swivel Sander

Adjustable length
 powerful motor delivering high speed
 Flexible head

TECHNICAL DATA

Voltage	220-240V 50~60 Hz
Power Input	710 W
Speed	600-1500 rpm
Grinding Pad Diameter	215 mm
Sandpaper Diameter	225 mm
Tube Diameter	32 mm
Short-Length	1.23/1.65 m
Long-Length	2.2 m
Short/Long Weight	4.5/5.0 kg



DW08252

820W Drywall Sander

Variable speed
 Powerful self-suction
 10W LED lights surrounding the pad with 3cm distance to the working area
 Externally accessible brushes for greater service ability and longer motor life

TECHNICAL DATA

Voltage	220-240V 50~60 Hz
Input Power	820W
No-load Speed	600-1900 rpm
Platen Diameter	254 mm
Weight	3.5 kg



DW07505

1400W Electric Chain Saw

Compact, robust and lightweight
Automatic oil supply
Powerful -1400watt motor providing higher productivity
Low noise emission

TECHNICAL DATA

Voltage	220-240V 50~60 Hz
Input Power	1400W
Idle Speed	7000 rpm
Cutting Length	406mm
Oil tank capacity	220 ml
Cutting speed	12 m/s
Weight	5.0 kg



DW07515

2200W Electric Chain Saw

TECHNICAL DATA

Voltage	220-240V 50~60 Hz
Input Power	2200W
Rotation Frequency	6008 rpm
Bar Length	405mm
Motor Material	Copper



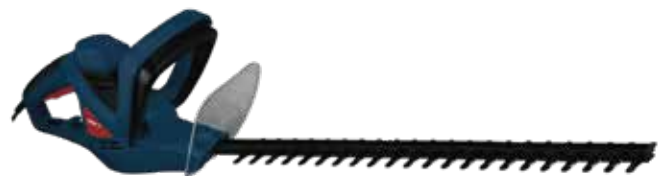
DW10020

600W Electric Hedge Trimmer

Compact and ergonomic design
Light weight, less fatigue and increased productivity
Less down time hence lower operating cost
Low noise emission
No gas, emissions, oil mixing or pull starts
Equipped with quick break to ensure operator's safety

TECHNICAL DATA

Voltage	220-240V 50~60 Hz
Input Power	600W
No-load Speed	3300 rpm
Cutting Length	610mm
Cutting Diameter	16mm
Weight	16mm





LED LIGHTS



The Name
You Can Trust

LHDL203R

200lm Rechargeable LED Headlamp

TECHNICAL DATA

Flood	20-200 lumen
Spot	120 lumen
Spot	High power LED
Operating time	Flood 2.5-25h, Spot 3h
Charging time	3h
Battery	3.7V 1400mAh Li-poly
Protection class	IP54 / IK07
Dimensions	68x 34 x 40mm
Weight	95g



HDL121R

120lm Recharge & Detachable LED Headlamp

TECHNICAL DATA

Flood	60-120 lumen
Operating time	5h/2.5h
Charging time	2-3h
Battery	3.7V 800mAh Li-poly
Protection class	IP65, IK07
Dimensions	94 x 43 x 37mm
Weight	95g



SLM351R

350lm Rechargeable Led mini torch

TECHNICAL DATA

Flood	30-350 lumen
Top high power LED	100 lumen
Operating time	Flood 2-20 h, Spot 3.5 h
Charging time	2-3h
Battery	3.7V 1500mAh Li-poly
Protection class	IP54 / IK07
Dimensions	44 x 24 x 116mm
Weight	120g



LED Light

DW3000052

5W Mini Cordless standing flash light

Focus adjusting knob
180 adjustable angle
Convenient hook design for easy fixation on the jobsite

TECHNICAL DATA

Voltage	20 V
Battery capacity	2.0 Ah
Led power dissipation	5 W
Brightness (min/max)	300/150 Lm
Bare Weight	0.19 kg



Battery x1



Charger



DW3000102

10W Cordless standing flash light

Long visual distance
Energy Saving
Adjustable brightness

TECHNICAL DATA

Voltage	20 V
Battery capacity	2.0 Ah
Led power dissipation	10 W
Brightness (min/max)	500/1000 Lm
Bare Weight	0.39 kg



Battery x1



Charger



DW3000202

20W Cordless standing flash light

High-quality LED
Tempered glass mask

TECHNICAL DATA

Voltage	20 V
Battery capacity	2.0 Ah
Led power dissipation	20 W
Brightness (min/max)	900/2000 lumens
Bare Weight	0.72 kg



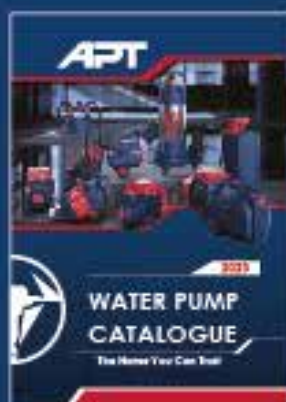
Battery x2



Charger

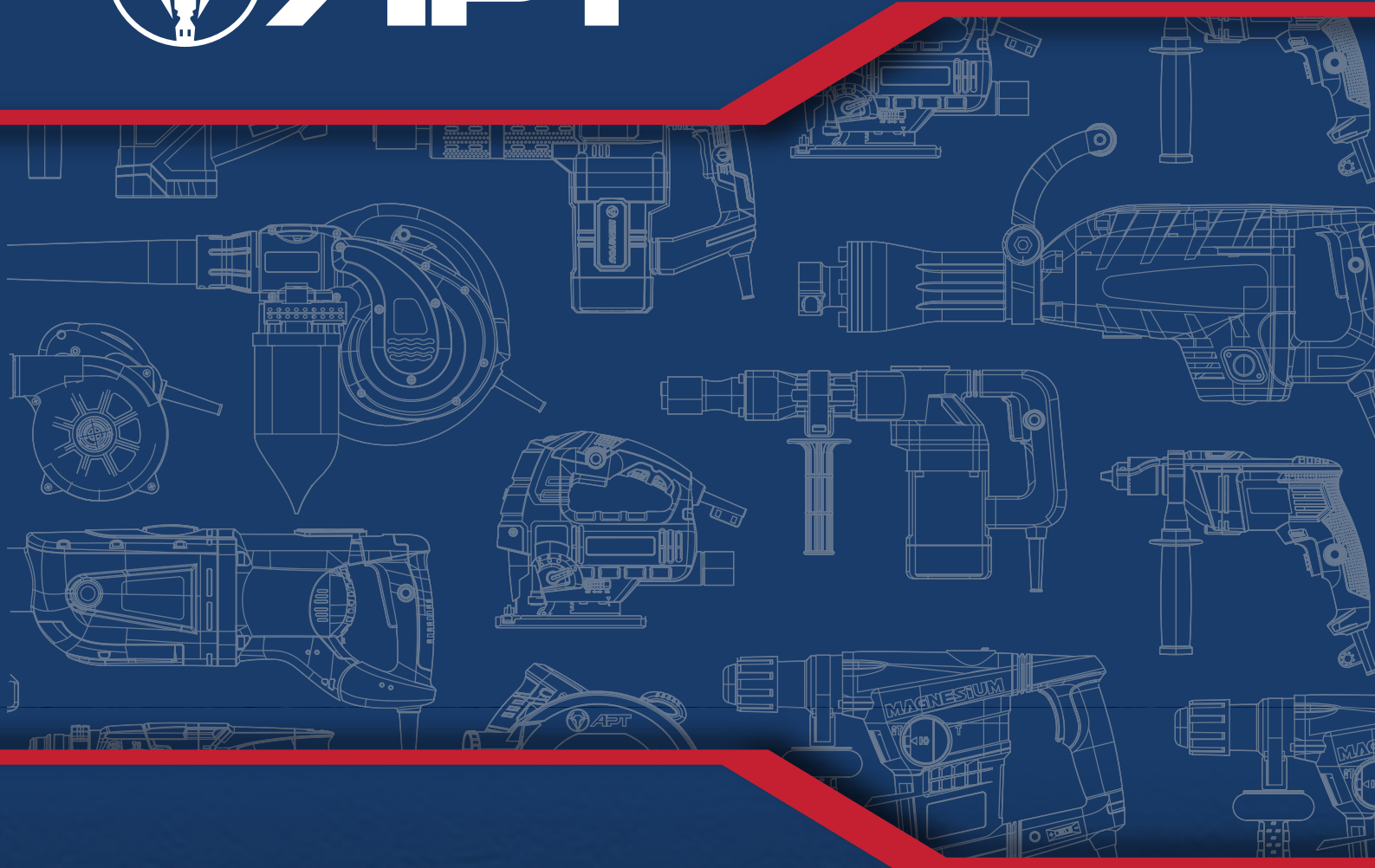


Check Our Range



APT

The Name You Can Trust



Contact Us



Info@apt-international.com

