

# APT



2024

## POWER TOOLS CATALOGUE



# APT International

# APT

The Name You Can Trust

## About:

With Decades of experience, APT International is a global emerging brand that is determined to lead, with solid experience in Product development, manufacturing, distributing, selling, and servicing world class products. We aspire to become a global brand that is trusted by our customers for our tools, accessories, and equipment.

Believing that to build a great tool you need great materials is the driver of our manufacturing process, and for that we source the absolute best raw materials and components to build the most powerful and efficient tool for our customers to rely on.

We put our customers at the heart of everything we do, and we make sure that our wide range of products is available for them in every market we enter through a strong network of central distribution centers, local distributors, and retailers. Complemented with a vast network of service centers equipped with highly qualified technicians delivering a world class customer service quality to ensure our customers complete satisfaction.

## Our Values:

**Reliability:** Our tools are built to last, for our customers to trust that they will consistently deliver the same quality every time.

**Quality:** We have a passionate commitment to providing high quality tools that exceed our customers' expectations.

**Value for Money:** Our advanced production capabilities enable us to offer our customers an unmatched combination of reliability, quality & price.

**Innovation:** We continuously strive to bring innovative solutions, for our customers to have the tools they need to get the job done.

**Customer Focus:** Our customers are at the heart of everything we do, we listen to their needs and work to deliver what they desire.

# TOOL FEATURES ICONS



**Electrical cable length**



**Anti-vibration system**

Dampened Handles/Mechanism reducing vibration and increasing comfort and productivity



**Variable speed**

Tool motor provides variable speeds for application versatility



**Safety Clutch**

Mechanical clutch reduces the kickback reaction protecting the operator



**Soft Grip**

Rubber handle soft grip for comfortable use



**Anti-dust ventilation system**



**Packaging**

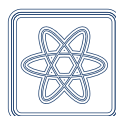
Tool comes in a hard case



**Heat dissipation system**



**SDS-Plus connection end**



**Stepless speed regulation**

Varies the motor speed smoothly



**SDS-Max connection end**



**Magnesium housing**

Enclosing the gears and the hammering/drilling mechanism for better heat dissipation



**HEX connection end**



**Aluminum housing**

Enclosing the gears and the hammering/drilling mechanism for better heat dissipation



**Hammering function for chiseling**



**Voltage/Frequency**



**Quick-release chuck**

Detachable SDS chuck to be replaced with the additional HSS chuck



**Motor Power**



**Reversible direction**

Reverses the rotation direction to remove the drill bit if it stuck



**Chainsaw bar length**



**Recommended breaking directions**



**Variable no-load speed**



**Recommended breaking directions**



**No-load speed**



**Recommended breaking directions**



**M6  
Class II**

# CONTENTS

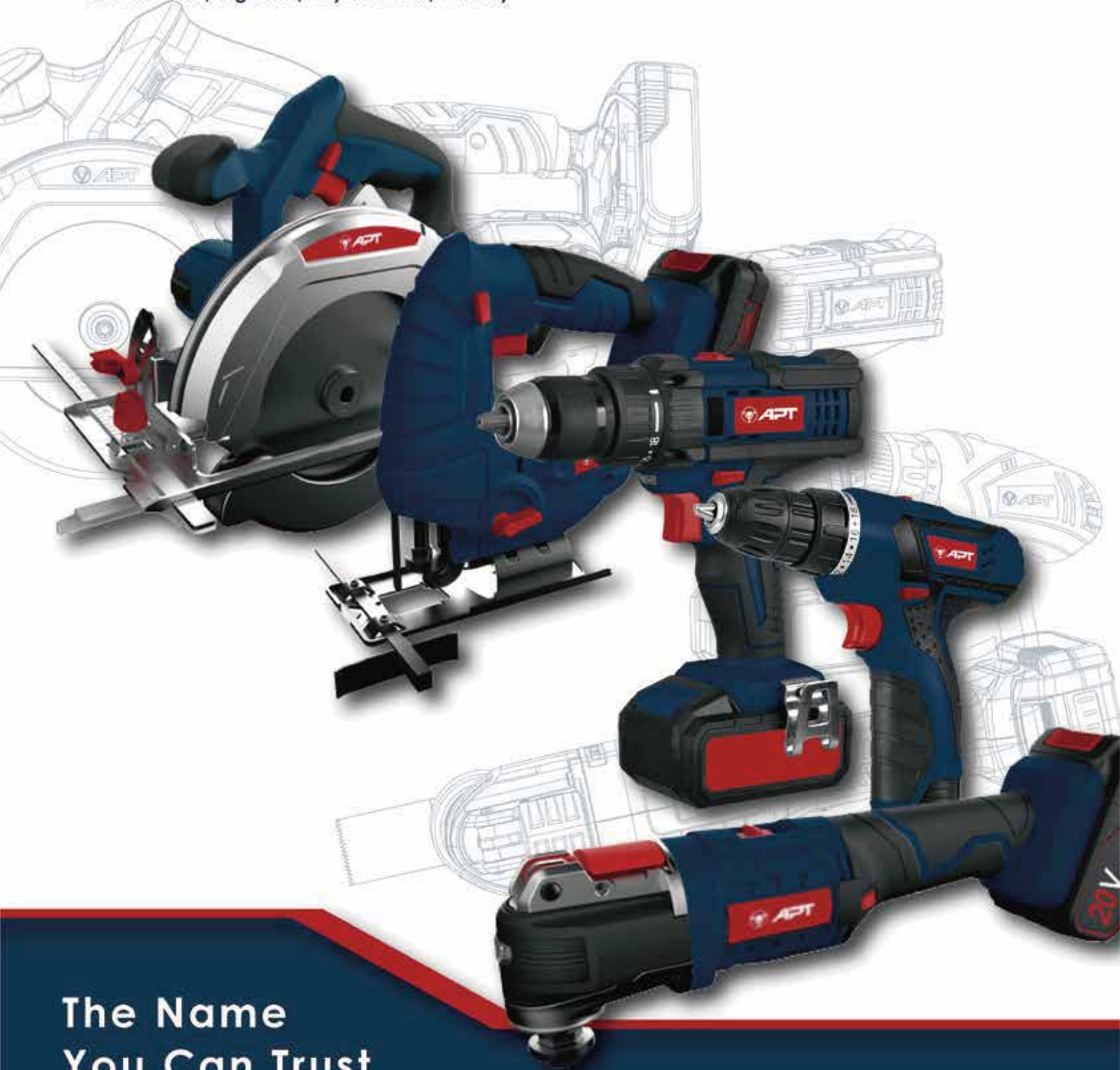
<b>CORDLESS TOOLS</b>	<b>3</b>	<b>CUT OFF SAW</b>	<b>34</b>
DRILL DRIVERS	4-5	MULTI FUNCTION TOOL	34
IMPACT WRENCH	6		
IMPACT DRIVER	7	<b>WOODWORKING TOOLS</b>	<b>35</b>
DRYWALL SCREWDRIVER	7	CIRCULAR SAW	36
RECIPROCATING SAW	8	JIG SAW	36-37
JIG SAW	8	ROUTER	37
CIRCULAR SAW	8	SHEET SANDER	37
ANGLE GRINDER	9	PLANNER	38
MULTI TOOL	9	MITRE SAW	38-41
BLOWER	9		
CERAMIC VIBRATORS	10	<b>OTHER TOOLS</b>	<b>43</b>
BATTERIES AND CHARGERS	11	BLOWER	44-45
		HEAT GUN	45
<b>DRILL DRIVERS</b>	<b>13</b>	MIXER	46
ELECTRIC DRILL DRIVERS	14-15	DRYWALL SANDERS	46
ANGLE DRILL DRIVERS	15	CHAIN SAW	47
IMPACT DRILL DRIVERS	15-17	HEDGE SAW	47
DRILL HOLDER	17		
		<b>High-pressure Cleaner</b>	<b>49-52</b>
<b>ROTARY HAMMERS</b>	<b>18-23</b>		
		<b>LED LIGHTS</b>	<b>53</b>
<b>DEMOLITION BREAKERS</b>	<b>25-27</b>	HEAD LAMPS	54
		MINI TORCH	54
<b>GRINDERS &amp; METAL WORKING</b>	<b>29</b>	STANDING FLASH LIGHTS	55
ANGLE GRINDER	30-32		
POLISHER	32		
MINI CRAFT	33		





## CORDLESS TOOLS

Drill / Impact Wrench / Blower / Impact Driver / Reciprocating Saw / Angle Grinder / Multi Tool /  
Circular Saw / Jig Saw / Drywall Drill / Battery



The Name  
You Can Trust

## DW15105

### 12V LI-ION Cordless Drill Driver

Compact Design and light weight for improved mobility  
 Rubber handle for better tool grip  
 Keyless chuck  
 -2speed gears for high productivity and application versatility

#### TECHNICAL DATA

Voltage	12 V
Battery Capacity	1.3 Ah
Max. Torque	25 Nm
No-load Speed (gear1/gear2)	0-350/0-1350 rpm
Torque Settings	18+1
Chuck Capacity	10 mm
Max. Drilling Capacity (metal/wood)	10 mm/25 mm
Max. Screw Fastening Ø	8 mm
Weight	0.985 kg



## DW15310

### 14.4V LI-ION Cordless Drill Driver

Compact Design and light weight for improved mobility  
 Rubber handle for better tool grip  
 Keyless chuck  
 -2speed gears for high productivity and application versatility

#### TECHNICAL DATA

Voltage	14.4 V
Battery Capacity	1.3 Ah
Max. Torque	27 Nm
No-load Speed (gear1/gear2)	0-400/0-1450 rpm
Torque Settings	18+1
Chuck Capacity	10 mm
Max. Drilling Capacity (metal/wood)	10 mm/25 mm
Max. Screw Fastening Ø	8 mm
Weight	1.16 kg



## DW15515

### 18V LI-ION Cordless Drill Driver

Compact Design and light weight for improved mobility  
 Rubber handle for better tool grip  
 Keyless chuck  
 -2speed gears for high productivity and application versatility

#### TECHNICAL DATA

Voltage	18 V
Battery Capacity	1.3 Ah
Max. Torque	29 Nm
No-load Speed (gear1/gear2)	0-400/0-1450 rpm
Torque Settings	18+1
Chuck Capacity	10 mm
Max. Drilling Capacity (metal/wood)	10 mm/25 mm
Max. Screw Fastening Ø	8 mm
Weight	1.19 kg



## DW15545

## 18V LI-ION Cordless Drill Driver

Improved ergonomic handle design with rubber  
Better grip, comfortable handling and precise control  
Keyless robust metal chuck  
2-speed gears for high productivity and application versatility  
LED working light

### TECHNICAL DATA

Voltage	18 V
Battery Capacity	3.0 Ah
Max. Torque	45 Nm
No-load Speed (gear1/gear2)	0-400/0-1500 rpm
Torque Settings	18+1
Chuck Capacity	13 mm
Max. Drilling Capacity (metal/wood)	13 mm/25 mm
Max. Screw Fastening Ø	8 mm
Weight	1.8 kg



## DW15555

## 18V LI-ION Cordless Drill Driver

Improved ergonomic handle design with rubber  
Better grip, comfortable handling and precise control  
Keyless robust metal chuck  
2-speed gears for high productivity and application versatility  
Brushless motor for improved maintenance intervals and less machine down time  
LED working light

### TECHNICAL DATA

Voltage	18 V
Battery Capacity	3.0 Ah
Max. Torque	55 Nm
No-load Speed (gear1/gear2)	0-400/0-1500 rpm
Torque Settings	22+1
Chuck Capacity	13 mm
Max. Drilling Capacity (metal/wood)	13 mm/25 mm
Max. Screw Fastening Ø	8 mm
Weight	1.835 kg



## DW0100132

## 20V LI-ION Cordless Drill Driver

Improved ergonomic handle design with rubber  
Better grip, comfortable handling and precise control  
Keyless robust metal chuck  
2-speed gears for high productivity and application versatility  
LED working light

### TECHNICAL DATA

Voltage	20 V
Battery Capacity	2.0 Ah
Max. Torque	40 Nm
No-load Speed (gear1/gear2)	0-450/0-1700 rpm
Torque Settings	18+1
Chuck Capacity	13 mm
Max. Drilling Capacity (metal/wood)	13 mm/25 mm
Max. Screw Fastening Ø	8 mm
Weight	1.2 kg



## DW15715

### 18V LI-ION Cordless impact Wrench

Improved ergonomic handle design with rubber  
 Better grip, comfortable handling and precise control  
 High grade steel anvil for durability  
 LED working light

#### TECHNICAL DATA

Voltage	18 V
Battery Capacity	3.0 Ah
Max. Torque	240 Nm
No-load Speed	2200 rpm
Impact Rate	3400bpm
Anvil type	Hog Ring 1/2"
Max.Bolt Diameter	22 mm
Weight	1.95 kg



## DW15725

### 18V LI-ION Cordless impact Wrench Brushless

Improved ergonomic handle design with rubber  
 Better grip, comfortable handling and precise control  
 High grade steel anvil for durability  
 Brushless motor for improved maintenance intervals and less machine down time  
 LED working light

#### TECHNICAL DATA

Voltage	18 V
Battery Capacity	3.0 Ah
Max. Torque	320 Nm
No-load Speed	1600/2200 rpm
Impact Rate	2300/3300bpm
Anvil type	Hog Ring 1/2"
Max.Bolt Diameter	22 mm
Weight	1.835kg



## DW0420435

### 20V LI-ION Cordless impact Wrench

Improved ergonomic handle design with rubber  
 Better grip, comfortable handling and precise control  
 High grade steel anvil for durability  
 LED working light

#### TECHNICAL DATA

Voltage	20 V
Battery Capacity	4.0 Ah
Max. Torque	350 Nm
No-load Speed	2000 rpm
Impact Per Minute	3000 ipm
Max.Bolt Diameter	M36
Tool Holder	1/2" (12.7mm)
Bare Weight	2.0 kg





## DW0320218

### 20V LI-ION Cordless Impact Driver

Improved ergonomic handle design with rubber  
Better grip, comfortable handling and precise control  
LED working light

#### TECHNICAL DATA

Voltage	20 V
Battery Capacity	2.0 Ah
Max. Torque	150 Nm
No-load Speed	2900 rpm
Impact Rate	3000 bpm
Max. Screw Fastening Ø	8*100mm
Tool Holder	1/4" (6.35mm)
Weight	1.12 kg



Storage Case



Battery ×2



Charger



## DW0700122

### 20V LI-ION Cordless Drywall Screwdriver

Screw depth adjustment knob  
Compact and light weight  
Better grip, comfortable handling and precise control  
LED Working Light

#### TECHNICAL DATA

Voltage	20 V
Battery Capacity	2.0 Ah
Max. Torque	5 Nm
No-load Speed	4000 rpm
Tool Holder	1/4" (6.35mm)
Weight	0.97 kg



Storage Case



Battery ×2



Charger



## DW1000222 20V LI-ION Cordless Reciprocating Saw

Improved ergonomic handle design with rubber  
 Better grip, comfortable handling and precise control  
 3-stage orbital action provides efficient cutting through various materials  
 Up to 45° left and right bevel capacity  
 Perfect for detailed cuts, curved cuts and plunge cuts

### TECHNICAL DATA

Voltage	20 V
Battery Capacity	2.0 Ah
No-load Stroke Rate	2800 spm
Stroke Length	22 mm
Bare Weight	1.8 kg



## DW0800802 20V LI-ION Cordless Jig Saw

Improved ergonomic handle design with rubber  
 Better grip, comfortable handling and precise control  
 3-stage orbital action provides efficient cutting through various materials  
 Up to 45° left and right bevel capacity  
 Perfect for detailed cuts, curved cuts and plunge cuts

### TECHNICAL DATA

Voltage	20 V
Battery Capacity	2.0 Ah
No-load Stroke Rate	2700 spm
Stroke Length	20mm
Bevel Capacity	45°
Max.depth of Cut [wood]	80 mm
Max.depth of Cut [metetal]	5 mm
Bare Weight	1.3 kg



## DW0900204 20V LI-ION Cordless Circular Saw

Improved ergonomic handle design with rubber  
 Better grip, comfortable handling and precise control  
 Quick breaking for increased safety  
 Built-in dust port for efficient dust extraction  
 Improved blade cut and cut line visibility  
 Light weight

### TECHNICAL DATA

Voltage	20 V
Battery Capacity	4.0 Ah
No-load Speed	3500 rpm
Blade Diameter	165 mm
Blade Bore Diameter	20 mm
Bevel Capacity	45°
90° Max.depth of Cut	53 mm
45° Max.depth of Cut	38 mm
Bare Weight	2.6 kg



## DW0501154

## 20V LI-ION Cordless Angle Grinder

Limited position lock switch  
Ergonomic slim handle design for better grip  
Reducing fatigue and safety hazards  
Safety auxiliary handle

### TECHNICAL DATA

Voltage	20 V
Battery Capacity	4.0 Ah
No-load Speed	8500 rpm
Cutting/Grinding Dia.	4.5" (115 mm)
Spindle Thread	M14
Weight	1.53 kg



Storage Case



Battery x2



Charger



## DW0600062

## 20V LI-ION Cordless Multi-Tool

Limited position lock switch  
Ergonomic slim handle design for better grip  
Reducing fatigue and safety hazards  
6-speed selector serves application versatility  
LED Working Light

### TECHNICAL DATA

Voltage	20 V
Battery Capacity	2.0 Ah
Oscillations/min	8000-16000 rpm
Oscillation Angle	3.0°
Weight	1.0 kg



Storage Case



Battery x2



Charger



## AH8125-DC12

## 12V LI-ION Cordless Ceramic Vibrator

Adsorption lock design  
Stepless vibration control  
Strong adsorption & for multi-size tiles  
Water level for accuracy  
LED Working Light

### TECHNICAL DATA

Voltage	12 V
Battery Capacity	2.0 Ah
Vibration Frequency	12,000 rpm
Sucker Diameter	3.9 inch
Adsorption Capacity	100 lbs/45kg
Continuous Discharge Time	45 min



Storage Case



Battery x2



Charger



## AH8125-DC20

## 20V LI-ION Cordless Ceramic Vibrator

Adsorption lock design  
 Stepless vibration control  
 Strong adsorption & for multi-size tiles  
 Water level for accuracy  
 LED Working Light

### TECHNICAL DATA

Voltage	20 V
Battery Capacity	2.0 Ah
Vibration Frequency	12,000 rpm
Sucker Diameter	5.1 inch
Adsorption Capacity	110 lbs/45kg
Continuous Discharge Time	60 min



Storage Case



Battery x2



Charger





## DW500020X 20V LI-ION Batteries

The shell composition is of ABS+TPE material  
Power display function  
Built-in safety fuse

DW5000202



### TECHNICAL DATA

Voltage	20 V
Battery Capacity	2.0 Ah
Weight	0.40 kg



DW5000204

### TECHNICAL DATA

Voltage	20 V
Battery Capacity	4.0 Ah
Weight	0.67 kg



## DW550020X 20V Battery Chargers

Fast charging

DW5500202



### TECHNICAL DATA

Voltage	20 V
Battery Capacity	2.0 Ah
Weight	0.38 kg



DW5500204

### TECHNICAL DATA

Voltage	20 V
Battery Capacity	4.0 Ah
Weight	0.48 kg





# APT



The Name  
You Can Trust





## DRILLS

Electric Drill / Angle Drill / Impact Drill / Drill Holder



The Name  
You Can Trust

## DW01215

### 400W Electrical Drill Driver

Compact Design and light weight for improved mobility  
 Better grip, comfortable handling and precise control  
 Switch lock for comfortable continuous operation

#### TECHNICAL DATA

Voltage	220-240V 50~60 Hz
Power Input	400 W
No-load Speed	4300 rpm
Chuck Capacity (min/max):	1.0-6.0 mm
Max. drilling capacity (Metal/Wood):	6 -20 mm
Max. screw fastening Ø	6 mm
Weight	1.5 kg



## DW01215L

### 400W Electrical Drill Driver with Keyless Chuck

Compact Design and light weight for improved mobility  
 Better grip, comfortable handling and precise control  
 Switch lock for comfortable continuous operation

#### TECHNICAL DATA

Voltage	220-240V 50~60 Hz
Power Input	400 W
No-load Speed	4300 rpm
Chuck Capacity (min/max):	1.0-6.0 mm
Max. drilling capacity (Metal/Wood):	6 -20 mm
Max. screw fastening Ø	6 mm
Weight	1.5 kg



## DW01315

### 450W Electrical Drill Driver

Compact Design and light weight for improved mobility  
 Better grip, comfortable handling and precise control  
 Switch lock for comfortable continuous operation  
 Variable speed knob

#### TECHNICAL DATA

Voltage	220-240V 50~60 Hz
Power Input	450 W
No-load Speed	3300 rpm
Chuck Capacity (min/max):	1.0-6.0 mm
Max. drilling capacity (Metal/Wood):	6 -20 mm
Max. screw fastening Ø	6 mm
Weight	1.5 kg





## DW01315L 450W Electrical Drill Driver with Keyless Chuck

Compact Design and light weight for improved mobility  
Better grip, comfortable handling and precise control  
Switch lock for comfortable continuous operation  
Variable speed knob

### TECHNICAL DATA

Voltage	220-240V 50~60 Hz
Power Input	450 W
No-load Speed	3300 rpm
Chuck Capacity (min/max):	1.0-6.0 mm
Max. drilling capacity (Metal/Wood):	6 -20 mm
Max. screw fastening Ø	6 mm
Weight	1.5 kg



## DW01520 500W Electrical Right Angle Drill Driver

Compact Design and light weight for improved mobility  
Better grip, comfortable handling and precise control  
LED working light

### TECHNICAL DATA

Voltage	220-240V 50~60 Hz
Power Input	500 W
No Load Speed	1200 rpm
Chuck Capacity:	10 mm
Max. drilling capacity (Metal/Wood)	10 -25 mm
Weight	2.0 kg



## DW02635 650W Compact Electrical Impact Drill

Robust and compact design  
Better grip, comfortable handling and precise control  
Switch lock for comfortable continuous operation  
Variable speed knob  
2 - mode switch for Drilling and Hammer Drilling  
Adjustable depth gauge

### TECHNICAL DATA

Voltage	220-240V 50~60 Hz
Power Input	650 W
No-load Speed	3000 rpm
Chuck Capacity (min/max)	1.5-13 mm
Max. drilling capacity (Metal/Wood/Masonry)	(10-25-13)mm
Weight	2.2 kg



## DW02645

### 750W Compact Electrical Impact Drill

Robust and compact design  
 Better grip, comfortable handling and precise control  
 Switch lock for comfortable continuous operation  
 Variable speed knob  
 2 - mode switch for Drilling and Hammer Drilling  
 Adjustable depth gauge

#### TECHNICAL DATA

Voltage	220-240V 50-60 Hz
Power Input	750 W
No-load Speed	3000 rpm
Chuck Capacity (min/max)	1.5-13 mm
Max. drilling capacity (Metal/Wood/Masonry)	(10-25-13)mm
Weight	2.5 kg



## DW02655

### 850W Compact Electrical Impact Drill

Robust and compact design  
 Better grip, comfortable handling and precise control  
 Switch lock for comfortable continuous operation  
 Variable speed knob  
 2 - mode switch for Drilling and Hammer Drilling  
 Adjustable depth gauge

#### TECHNICAL DATA

Voltage	220-240V 50-60 Hz
Power Input	850 W
No-load Speed	3000 rpm
Chuck Capacity (min/max)	1.5-13 mm
Max. drilling capacity (Metal/Wood/Masonry)	(10-30-13)mm
Weight	2.8 kg



## DW02775

### 1050W Electrical Impact Drill

Robust Design with a powerful motor  
 Better grip, comfortable handling and precise control  
 Switch lock for comfortable continuous operation  
 Variable speed knob  
 2-mode switch for Drilling and Hammer Drilling  
 Adjustable depth gauge

#### TECHNICAL DATA

Voltage	220-240 V / 50-60 Hz
Power Input	1050 W
No-load Speed	1100/ 3000 rpm
Chuck Capacity (min/max)	1.5-13 mm
Max. drilling capacity (Metal/Wood/Masonry)	(13-25-13)mm
Weight	3.5 kg



## DW02795

## 1050W Compact Electrical Impact Drill

Robust and compact design  
 Better grip, comfortable handling and precise control  
 Switch lock for comfortable continuous operation  
 Variable speed knob  
 -2mode switch for Drilling and Hammer Drilling  
 Adjustable depth gauge

### TECHNICAL DATA

Voltage	220-240V 50~60 Hz
Power Input	1050 W
No-load Speed	2800 rpm
Chuck Capacity (min/max)	1.5/13 mm
Max. drilling capacity (Metal/Wood/Masonry)	(13-25-13)mm
Weight	2.6 kg



## DW55205

## Drill Holder

Ideal for use with electric drills-suitable for all standard models, with robust slide & pivot mechanism and sturdy cast iron base plate  
 Strength-reinforcing lever with spring return for comfortable, accurate use  
 Rotation angle 180° and Adjustable restraints with protective buffers  
 Heavier cast iron base, more stable and small swing, less working deviation  
 Suitable for standard models  
 Robust slide with a pivot mechanism & sturdy cast iron plate  
 Increased precision during operation  
 Up to 180° rotation and adjustable restraints with protective buffer

### TECHNICAL DATA

Drilling Capacity	60mm
Maximum Clamping Diameter	43mm
Maximum Rotation Angle	180°



# APT



# APT



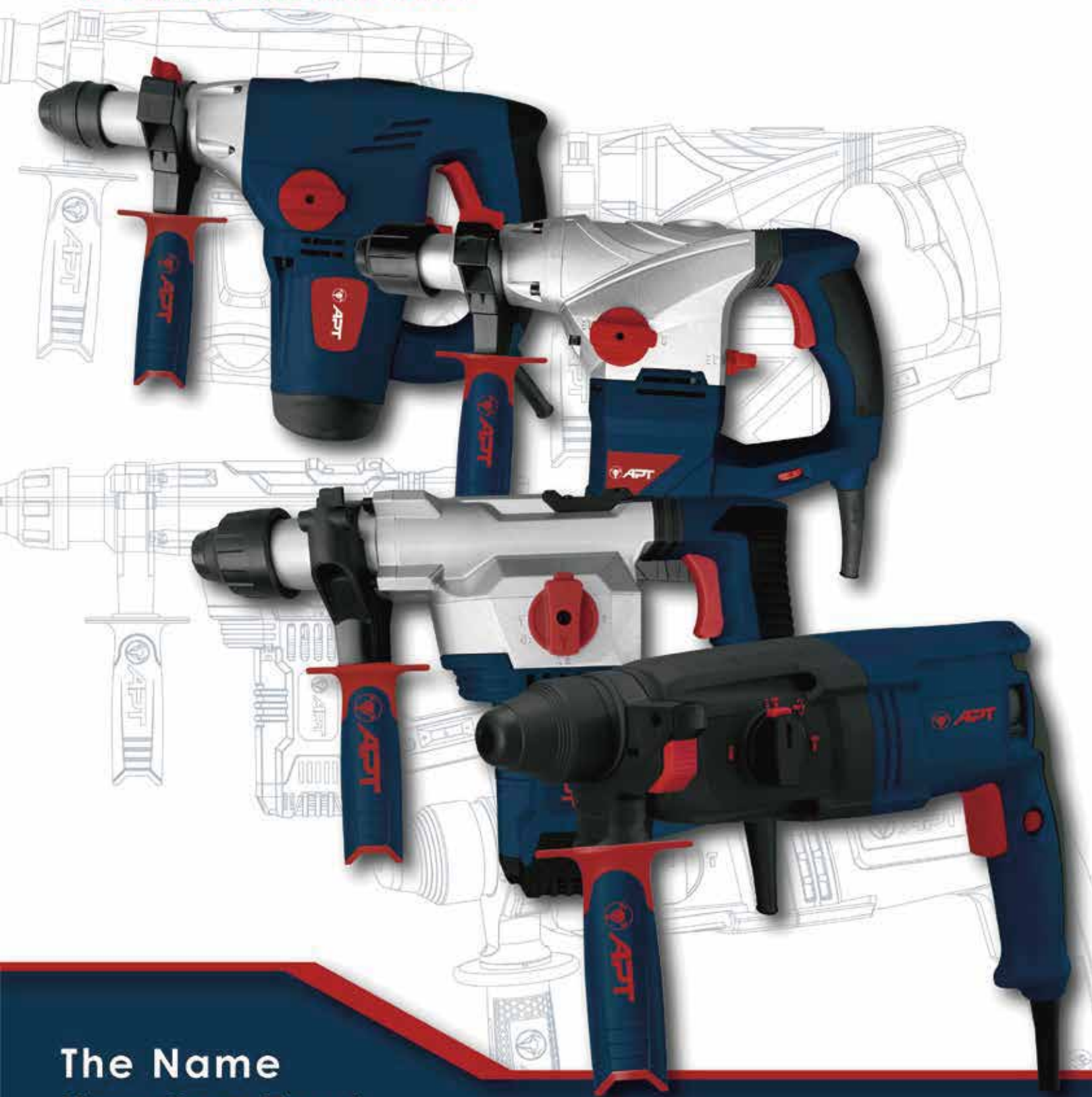
The Name  
You Can Trust







## ROTARY HAMMERS



The Name  
You Can Trust



## DW26QCC 800W Rotary Hammer

Sturdy motor providing high performance  
 Powerful pistol grip multi purpose  
 Light chiseling function  
 Comes with a detachable chuck

### TECHNICAL DATA

Voltage	220-240V 50~60 Hz
Power Input	800 W
No-load Speed	1300 rpm
Impact Rate	5500 bpm
Max.Drill Capacity [Concrete]	26 mm
Max.Drill Capacity [Steel]	13 mm
Max.Drill Capacity [Wood]	30 mm
Weight	2.7 kg



## DW2621 800W Rotary Hammer

Sturdy motor providing high performance  
 Powerful pistol grip multi purpose  
 Light chiseling function

### TECHNICAL DATA

Voltage	220-240V 50~60 Hz
Power Input	800 W
No-load Speed	1300 rpm
Impact Rate	5500 bpm
Max.Drill Capacity [Concrete]	26 mm
Max.Drill Capacity [Steel]	13 mm
Max.Drill Capacity [Wood]	30 mm
Weight	2.8 kg



## DW2601 800W Rotary Hammer

Sturdy motor providing high performance  
 Powerful pistol grip multi purpose  
 Light chiseling function

### TECHNICAL DATA

Voltage	220-240V 50~60 Hz
Power Input	800 W
No-load Speed	1100 rpm
Impact Rate	4900 bpm
Max.Drill Capacity [Concrete]	26 mm
Max.Drill Capacity [Steel]	13 mm
Max.Drill Capacity [Wood]	30 mm
Weight	2.7 kg



# Rotary Hammers

## DW26G-V2

## 850W Rotary Hammer

Sturdy design providing more space for motor and mechanism  
Powerful D-handle multi purpose  
Better grip  
Safety manual clutch

### TECHNICAL DATA

Voltage	220-240V 50~60 Hz
Power Input	850 W
No-load Speed	1000 rpm
Impact Rate	3150 bpm
Impact Energy	4.5 J
Max.Drill Capacity (Concrete/Steel/Wood)	26/13/40 mm
Weight	4.7 kg



## DW32HT

## 1250W Rotary Hammer

Sturdy design providing more space for motor and mechanism  
Powerful D-handle multi purpose  
Better grip  
Safety clutch  
Anti vibration system to reduce fatigue & increase productivity

### TECHNICAL DATA

Voltage	220-240V 50~60 Hz
Power Input	1250 W
No-load Speed	300-1050 rpm
Impact Rate	1200-4200 bpm
Impact Energy	5.0 J
Max.Drill Capacity [Concrete/Steel/Wood]	32/13/40 mm
Weight	4.5kg



## DW36DT

## 1500W Rotary Hammer

Sturdy design providing more space for motor and mechanism  
Powerful D-handle multi purpose  
Better grip  
Safety clutch

### TECHNICAL DATA

Voltage	220-240V 50~60 Hz
Power Input	1500 W
No-load Speed	340-780 rpm
Impact Rate	1100-2700 bpm
Impact Energy	5.0 J
Max.Drill Capacity [Concrete/Steel/Wood]	36/13/40 mm
Weight	5.0 kg



## DW36HT

### 1500W Rotary Hammer

Sturdy design providing more space for motor and mechanism  
 Powerful D-handle multi purpose  
 Better grip  
 Safety clutch  
 Anti vibration system to reduce fatigue & increase productivity

#### TECHNICAL DATA

Voltage	220-230V ~50Hz
Power Input	1500 W
No-load Speed	200-750 rpm
Impact Rate	1000-3000 bpm
Impact Energy	5.0 J
Max.Drill Capacity [Concrete/CSteel/wood]	36/13/40 mm
Weight	5.0 kg



## DW36PT

### 1500W Rotary Hammer

Sturdy design providing more space for motor and mechanism  
 Powerful D-handle multi purpose  
 Better grip  
 Safety clutch  
 Anti vibration system to reduce fatigue & increase productivity

#### TECHNICAL DATA

Voltage	220-230V ~50Hz
Power Input	1500 W
No-load Speed	800 rpm
Impact Rate	3600 bpm
Impact Energy	5.0 J
Max.Drill Capacity [Concrete/Steel/Wood]	36/13/40 mm
Weight	5.8 kg



## DW40B

### 1250W Rotary Hammer

Sturdy design providing more space for motor and mechanism  
 Powerful D-handle multi purpose  
 Better grip  
 Safety clutch  
 Anti vibration system to reduce fatigue & increase productivity

#### TECHNICAL DATA

Voltage	220-230V ~50Hz
Power Input	1250 W
No-load Speed	450 rpm
Impact Rate	2800 bpm
Impact Energy	10 J
Max.Drill Capacity [Concrete/Steel/Wood]	38/13/50 mm
Max.Drill Capacity [Core Bit]	90 mm
Weight	6.8 kg



## DW50A2T

## 1700W Rotary Hammer

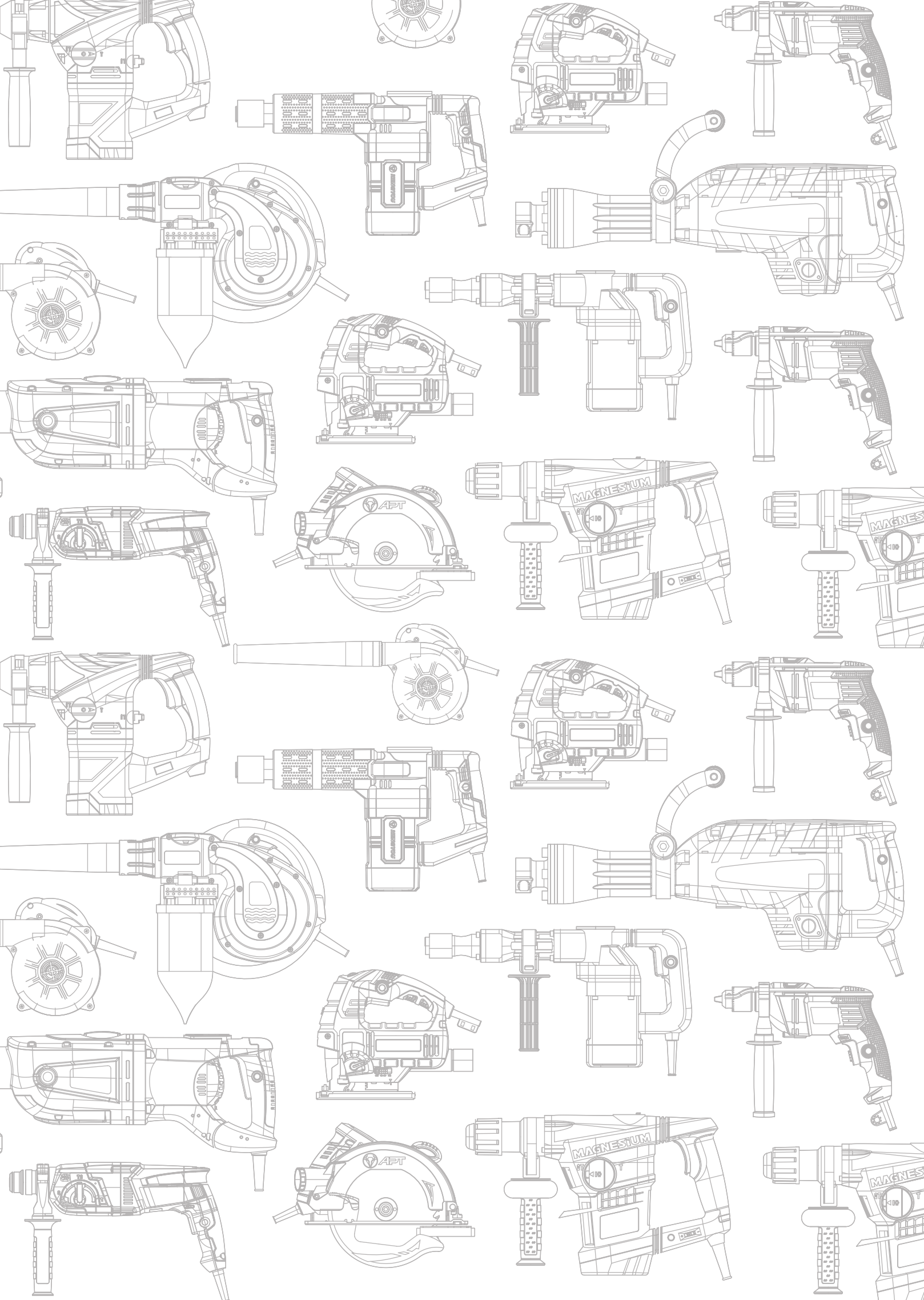
Die cast magnesium alloy casting for better heat dissipation, lighter weight and no rustiness  
Soft grip  
Anti vibration system to reduce fatigue & increase productivity  
Overload safety clutch

### TECHNICAL DATA

Voltage	220~230V ~50Hz
Power Input	1700 W
No-load Speed	200-340 rpm
Impact Rate	850-1900 bpm
Impact Energy	27 J
Max. Drill Capacity [Concrete]	50 mm
Weight	12 kg









## DEMOLITION BREAKERS



The Name  
You Can Trust

## DW10C

## 1010W Demolition Breaker

Simple and compact design  
 Versatile for light duty chiseling in concrete and masonry  
 Spring anti-vibration system reducing fatigue and increasing productivity  
 Ergonomic handle design with soft grip

### TECHNICAL DATA

Voltage	220-240V 50~60 Hz
Power Input	1010 W
Impact Rate	2900 bpm
Impact Energy	10 J
Weight	5.3 kg



## DW10D

## 1350W Demolition Breaker

Simple and compact design  
 Versatile for light duty chiseling in concrete and masonry  
 Spring anti-vibration system reducing fatigue and increasing productivity  
 Ergonomic handle design with soft grip

### TECHNICAL DATA

Voltage	220-240V 50~60 Hz
Power Input	1350 W
Impact Rate	2900 bpm
Impact Energy	10 J
Weight	5.5 kg



## DW15D

## 1300W Demolition Breaker

Powerful demolition hammer for heavy duty chiseling in concrete and masonry  
 Spring anti-vibration system reducing fatigue and increasing productivity  
 Ergonomic handle design with soft grip

### TECHNICAL DATA

Voltage	220-240V 50~60 Hz
Power Input	1300 W
Impact Rate	2400 bpm
Impact Energy	20 J
Weight	7.0 kg



# Demolition Breakers

## DW65

## 1500W Demolition Breaker

Versatile breaker for demolishing, chiseling floors and occasional wall applications  
Ergonomic handle design with soft grip  
Lock switch for continuous use

### TECHNICAL DATA

Voltage	220-240V 50~60 Hz
Power Input	1500 W
Impact Rate	1150 bpm
Impact Energy	40 J
Weight	14.2 kg



## DW45

## 1700W Demolition Breaker

Versatile breaker for demolishing, chiseling floors and occasional wall applications  
Ergonomic handle design with soft grip  
Lock switch for continuous use

### TECHNICAL DATA

Voltage	220-240V 50~60 Hz
Power Input	1700 W
Impact Rate	1300 bpm
Impact Energy	45 J
Weight	15.5 kg









## GRINDERS & METAL WORKING

Angle Grinder / Polisher / Mini Craft / Cut Off Saw / Multi Function Tool



The Name  
You Can Trust

## DW05215-V2 600W Angle Grinder 4.5"

With a well designed grip  
Lock on slide switch  
Two position side handle  
Lightweight and compact design

### TECHNICAL DATA

Voltage	220-240V 50~60 Hz
Power Input	600 W
Hole Diameter of Disc	22mm 4.5"/115mm
Spindle Thread	M14
Cord Length	2m
No-load Speed	11000 r /min
Weight	2.15 kg



## DW05340-V2 850W Angle Grinder 5"

With a well designed grip  
Lock on slide switch  
Two position side handle  
Lightweight and compact design

### TECHNICAL DATA

Voltage	220-240V 50~60 Hz
Power Input	850 W
No-load Speed	11000 rpm
Disc Diameter	125 mm
Weight	2.05 kg



## DW05372 1150W Angle Grinder 5"

Variable speed control dial enables user to match the speed to the application  
Constant speed control automatically applies additional power to the motor to maintain speed under load  
Soft start suppresses start-up reaction for smooth start-ups and longer gear life

### TECHNICAL DATA

Voltage	220-240V 50~60 Hz
Power Input	1150 W
No-load Speed	11000 rpm
Disc Diameter	125 mm
Weight	2 kg



# GRINDERS & METAL WORKING

## DW05370-V2 / 1150W Angle Grinder 5"

With a well designed grip  
Lock on side switch  
Two position side handle  
Compact Design and light weight for improved mobility  
Better, more comfortable grip via the long handle

### TECHNICAL DATA

Voltage	220-240V 50~60 Hz
Power Input	1150 W
No-load Speed	11000 rpm
Disc Diameter	125 mm
Weight	2.5 kg



## DW05555 / 1500W Angle Grinder 7"

3-position adjustable side handle of hand grinder allows greater control in multiple positions  
Single-wrench wheel changes with spindle-lock button

### TECHNICAL DATA

Voltage	220-240V 50~60 Hz
Input Power	1500 W
No-load Speed	8500 rpm
Max. Dis Diameter	180mm
Weight	2.6 kg



## DW05665 / 2600W Angle Grinder 9"

3-position adjustable side handle of hand grinder allows greater control in multiple positions  
Single-wrench wheel changes with spindle-lock button

### TECHNICAL DATA

Voltage	220-240V 50~60 Hz
Input Power	2600 W
No-load Speed	8500 rpm
Max. Dis Diameter	230 mm
Weight	5.7kg





## DW05625-V2 2200W Angle Grinder 9"

3-position adjustable side handle of hand grinder allows greater control in multiple positions  
Single-wrench wheel changes with spindle-lock button

### TECHNICAL DATA

Voltage	220-240V 50~60 Hz
Input Power	2200 W
No-load Speed	6000 rpm
Max. Dis Diameter	230 mm
Weight	5.7 kg



## DW06350-V2 1200W Polisher 7"

Polisher comes with two detachable handles  
Safe-switch lock design  
Can use different sponge wheel to finish different application  
This rotary polisher is ideal for polishing and removing swirls, scratches, and defects from all painted vehicles

### TECHNICAL DATA

Voltage	220-240V 50~60 Hz
Power Input	1200 W
No-load Speed	600-3000 rpm
Max. Disc Diameter	180 mm
Weight	3.5 kg



## DW06300 720W Orbital Polisher 6"

The power of the machine is sufficient to provide stable output  
The machine with constant speed function, can provide stable speed  
Machine holding conforms to ergonomics, can reduce labor fatigue  
The machine has large eccentricity, which can provide grinding efficiency

### TECHNICAL DATA

Voltage	220-240V 50~60 Hz
Input Power	720 W
No-load Speed	2100-5000 rpm
Pad size	150 mm
Weight	2.5 kg



# GRINDERS & METAL WORKING

## DW06412

### 135W Mini Craft

High-Performance Motor at all speeds  
Variable speed for accessory versatility and precise tool control  
Durable high speed bearing

#### TECHNICAL DATA

Voltage	220-240V 50~60 Hz
Input Power	135 W
No-load Speed	10000-32000 rpm
Chuck Capacity	Max 3.2mm
Weight	0.7 kg



## DW06416

### 170W Mini Craft

High quantity bearing  
Soft grip  
More accessories

#### TECHNICAL DATA

Voltage	220-240V 50~60 Hz
Input Power	170W
No-load Speed	8000-35000 rpm
Chuck Capacity	Max 3.2mm
Weight	1.8 kg



## DW06419

### 200W Mini Craft

High quantity bearing  
Soft grip  
More accessories

#### TECHNICAL DATA

Voltage	220-240V 50~60 Hz
Input Power	200W
No-load Speed	10000-40000 rpm
Max Chuck Capacity	3.2mm
Weight	1.9 kg



## DW07351

### 2700W Cut off Saw 14"

Powerful motor for heavy duty operating  
 Humanized design of the soft rubber handle, feel more comfortable  
 Thicker and heavier base, providing more stability and precision during cutting  
 Big half cover, for operator safety

#### TECHNICAL DATA

Voltage	220-240V 50~60 Hz
Input Power	2700W
No-load Speed	4000 rpm
Blade Diameter	355mm (14")
Max. Depth of Cut	100mm
Weight	14.7kg



## DW07353

### 3000W Cut off Saw 14"

Powerful motor for heavy duty operating  
 Humanized design of the soft rubber handle, feel more comfortable  
 Thicker and heavier base, providing more stability and precision during cutting  
 Big half cover, for operator safety

#### TECHNICAL DATA

Voltage	220-240V 50~60 Hz
Input Power	3000W
No-load Speed	3600 rpm
Blade Diameter	355mm (14")
Max. Depth of Cut	100mm
Weight	17.5kg



## DW06512

### 300W Multi Function tool

Limited position lock switch  
 Ergonomic slim handle design for better grip  
 Reducing fatigue and safety hazards  
 6-speed selector serves application versatility  
 LED Working Light

#### TECHNICAL DATA

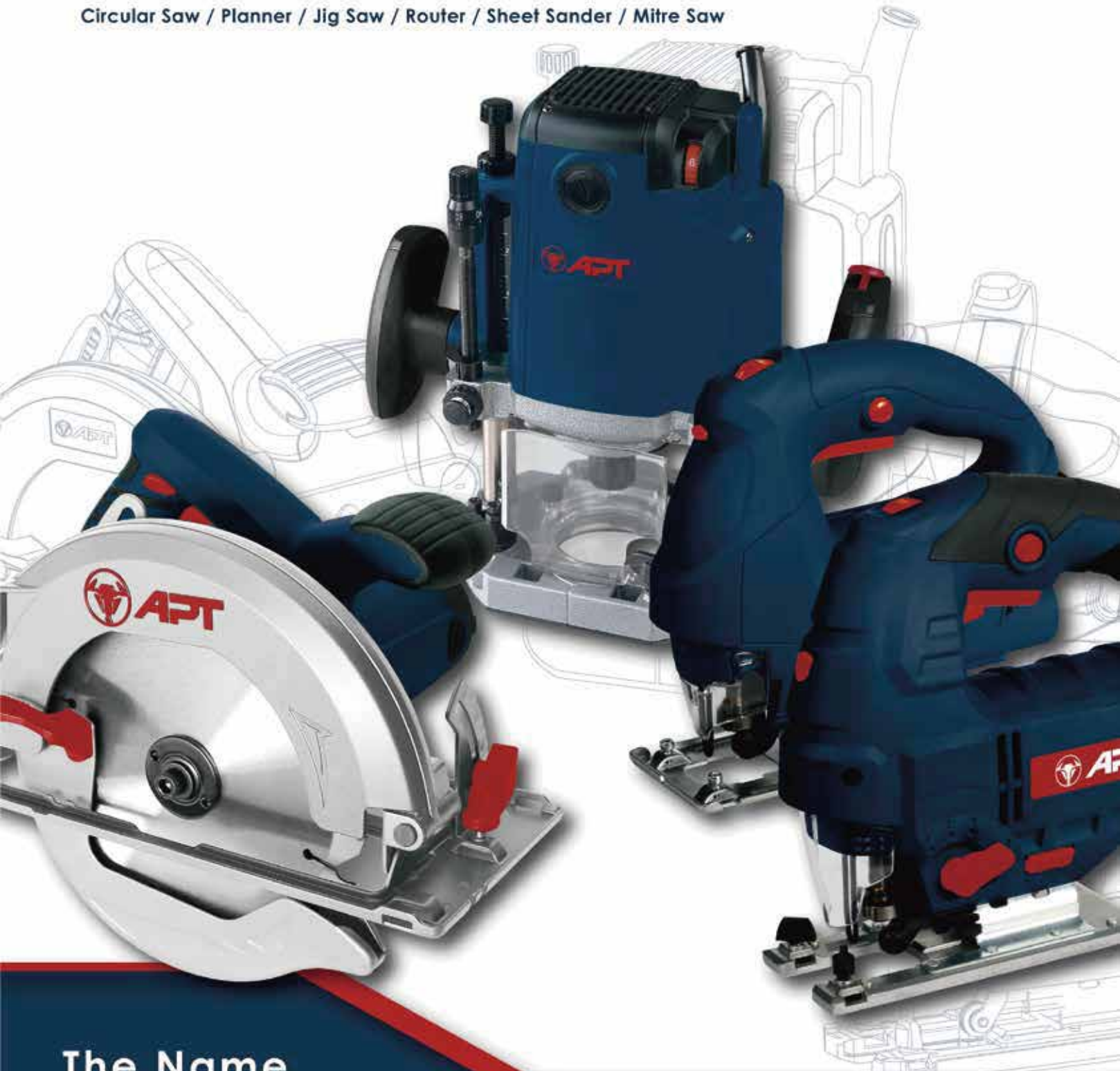
Voltage	220V~ 60Hz
Input Power	300W
Oscillation Speed	15000-22000 rpm
Oscillation Angle	3°
Weight	1.4 kg





## WOODWORKING TOOLS

Circular Saw / Planner / Jig Saw / Router / Sheet Sander / Mitre Saw



The Name  
You Can Trust



## DW07220-V2

## 1200W Circular Saw 7 1/4"

Adjustable base plate height  
Adjustable angle up to 45°  
Improved ergonomic handle design  
Better grip, comfortable handling and precise control

### TECHNICAL DATA

Voltage	220-240V 50~60 Hz
Input Power	1200W
No-load Speed	4700 rpm
Saw Depth	63mm
Weight	4.3 kg



## DW07405

## 570W Jig saw

Variable 6-speed  
3 Position pendulum  
Blower and vacuum function power  
Blade quick chuck

### TECHNICAL DATA

Voltage	220-240V 50~60 Hz
Input Power	570 W
No-load Speed	3000 rpm
Max.Depth of cut[Wood]	65mm
Max.Depth of cut[Stell]	8mm
Weight	1.8 kg



## DW07455

## 800W Jig saw

Variable 6-speed  
Adjustable Base Plate up to 45°  
-3position pendulum

### TECHNICAL DATA

Voltage	220-240V 50~60 Hz
Input Power	800 W
No-load Speed	3000 rpm
Max.Depth of cut[Wood]	110mm
Max.Depth of cut[Stell]	10mm
Weight	2.5 kg



## DW08490

## 2100W Electric Router

Can be placed upside down for easier bit replacement  
Precision cutting depth adjustment  
Ergonomically contoured knob style handles  
Speed control dial  
Trigger switch

### TECHNICAL DATA

Voltage	220V~ 60Hz
Input Power	2100W
No-load Speed	9000-22000 rpm
Collet diameter	12mm
Plunge Capacity	Up to 70mm
Weight	6 kg



## DW08204

## 300W Sheet Sander

Dust box for clean and efficient sanding with extended sandpaper life  
Comfortable clamp lever for easy sand paper installation  
Engineered to operate at low noise level with reduced vibration  
Large trigger switch and lock-on button for comfortable use during extensive work  
Sands wood or metal and removes paint and rust

### TECHNICAL DATA

Voltage	220-240V 50~60 Hz
Power Input	300 W
Belt Speed(No-Load)	6000-12000 rpm
Belt Dimensions	230 x 115 mm
Weight	2.6kg



## DW08300 560W Electric Planner

Reduced wood chip blockage via an improved air flow design  
 Self locking cap for comfortable use  
 Improved ergonomic handle design  
 Better grip, comfortable handling and precise control

### TECHNICAL DATA

Voltage	220-240V 50~60 Hz
Input Power	560W
No-load Speed	16000 rpm
Planing width	82mm
Planing depth	Up to 1mm
Rabeling depth	Up to 10mm
Weight	3.6 kg



## DW07705 900W Miter 7 1/4"

Adjustable tilt up to 45  
 Improved ergonomic handle design  
 better grip, comfortable handling and precise control  
 Light weight and compact  
 Aluminium base plate

### TECHNICAL DATA

Voltage	220-240V 50~60 Hz
Input Power	900 W
No-load Speed	5500 rpm
Blade Diameter	190 MM
Blade Teeth	24 T
Blade Arbour	30 MM
Weight	5.4 kg



## DW07715 1400W/1600W Compound Miter Saw 8"

Tilt adjustable at 45°  
 Easy to carry  
 Shaft lock for easier blade changing  
 Aluminium base plate for stable working

### TECHNICAL DATA

Voltage	220-240V 50~60 Hz
Input Power	1400W S1 ,1600W S6 25%
No-load Speed	5500 rpm
Blade Diameter	216 mm
Saw Blade Bore Diameter	φ30 24T
Saw Body Tiltting Range	0~45
Table Tiltting Range	L45 ~R45
Max. workpiece dimensions 0°/90°	45x115 mm
Max. workpiece dimensions 45°/90°	45x80 mm
Max. workpiece dimensions 0°/45°	30x115 mm
Max. workpiece dimensions 45°/45°	27x80 mm
Weight	9.4 kg



## DW07716

## 1200W Miter Saw 8"

Stronger motor for heavy duty operating  
Extra wide die cast base provides stability when cutting a work piece  
Tool-free 45° adjustable fence allows for fast and accurate angle cuts  
Improved ergonomic handle design  
Better grip, comfortable handling and precise control

### TECHNICAL DATA

Voltage	220-240V 50~60 Hz
Input Power	1200W
No-load Speed	4500 rpm
Blade Diameter	210mm (8")
Max. workpiece dimensions 0°/90°	45x115 mm
Max. workpiece dimensions 45°/90°	45x80 mm
Max. workpiece dimensions 0°/45°	30x115 mm
Max. workpiece dimensions 45°/45°	27x80 mm
Weight	7 kg



## DW07742

## 1800W Compound Miter Saw 10"

Patented double bell structure  
Extra wide die cast base providing stability during the cutting process  
Tool-free 45° provides stability when cutting work  
Improved ergonomic handle design  
Better grip, comfortable handling and precise control

### TECHNICAL DATA

Voltage	220-240V 50~60 Hz
Input Power	1800W
No-load Speed	3500 rpm
Blade Diameter	254 mm
Saw Blade Bore Diameter	φ30, 60T
Saw Body Tilting Range	0~45
Table Tilting Range	L45 ~R45
Max. workpiece dimensions 0°/90°	70x140 mm
Max. workpiece dimensions 45°/90°	70x100 mm
Max. workpiece dimensions 0°/45°	42x140 mm
Max. workpiece dimensions 45°/45°	42x100 mm
Weight	13.85 kg



## DW07743

## 2000W Miter Saw 10"

Patented double bell structure  
2000W high power motor  
Tool-free 45° adjustable fence allows for fast and accurate angle cuts  
Improved ergonomic handle design  
Better grip, comfortable handling and precise control

### TECHNICAL DATA

Voltage	220-240V 50~60 Hz
Input Power	2000W
No-load Speed	5000 rpm
Blade Diameter	10" (254 mm)
Max. workpiece dimensions 0°/90°	70x140 mm
Max. workpiece dimensions 45°/90°	70x100 mm
Max. workpiece dimensions 0°/45°	42x140 mm
Max. workpiece dimensions 45°/45°	42x100 mm
Weight	12.7 kg





## DW07745

## 1800W Induction Motor Sliding Miter Saw 10"

Patented double bell structure  
 Extra wide die cast base providing stability during the cutting process  
 Tool-free 45° provides stability when cutting work  
 Improved ergonomic handle design  
 Better grip, comfortable handling and precise control

### TECHNICAL DATA

Voltage	220-240V 50~60 Hz
Input Power	1800W
No-load Speed	2950 rpm
Blade Diameter	254 mm
Saw Blade Bore Diameter	φ30, φ25.4mm
Saw Body Tilting Range	0~45
Table Tilting Range	L45 ~R45
Max. workpiece dimensions 0°/90°	70x140 mm
Max. workpiece dimensions 45°/90°	70x100 mm
Max. workpiece dimensions 0°/45°	42x140 mm
Max. workpiece dimensions 45°/45°	42x100 mm
Weight	18.55 kg



## DW07751

## 2200W Miter Saw 12"

Extra wide die cast base providing stability during the cutting process  
 Tool-free 45° provides stability when cutting work  
 Improved ergonomic handle design  
 Better grip, comfortable handling and precise control

### TECHNICAL DATA

Voltage	220-240V 50~60 Hz
Input Power	2200W
No-load Speed	4000 rpm
Blade Diameter	305mm (12")
Max. workpiece dimensions 0°/90°	65x190 mm
Max. workpiece dimensions 45°/90°	65x140 mm
Max. workpiece dimensions 0°/45°	45x195 mm
Max. workpiece dimensions 45°/45°	45x135 mm
Weight	16.5 kg



## DW07755

## 2200W Belt Driven Miter Saw 12"

Patented double bell structure  
 Extra wide die cast base providing stability during the cutting process  
 Tool-free 45° provides stability when cutting work  
 Improved ergonomic handle design  
 Better grip, comfortable handling and precise control

### TECHNICAL DATA

Voltage	220-240V 50~60 Hz
Input Power	2200W
No-load Speed	4500 rpm
Blade Diameter	12" (305 mm)
Max. workpiece dimensions 0°/90°	65x190 mm
Max. workpiece dimensions 45°/90°	65x140 mm
Max. workpiece dimensions 0°/45°	45x195 mm
Max. workpiece dimensions 45°/45°	45x135 mm
Weight	23 kg



## DW07762

## 1800W Compound Miter Saw 12"

Patented double bell structure  
 Extra wide die cast base providing stability during the cutting process  
 Tool-free 45° provides stability when cutting work  
 Improved ergonomic handle design  
 Better grip, comfortable handling and precise control

### TECHNICAL DATA

Voltage	220-240V 50~60 Hz
Input Power	1800W
No-load Speed	3500 rpm
Blade Diameter	305 mm
Saw Blade Bore Diameter	φ30 φ25.4mm
Saw Body Tilting Range	0~45
Table Tilting Range	L45 ~R45
Max. workpiece dimensions 0°/90°	65x190 mm
Max. workpiece dimensions 45°/90°	65x140 mm
Max. workpiece dimensions 0°/45°	45x195 mm
Max. workpiece dimensions 45°/45°	45x135 mm
Weight	16.3 kg



## DW07765

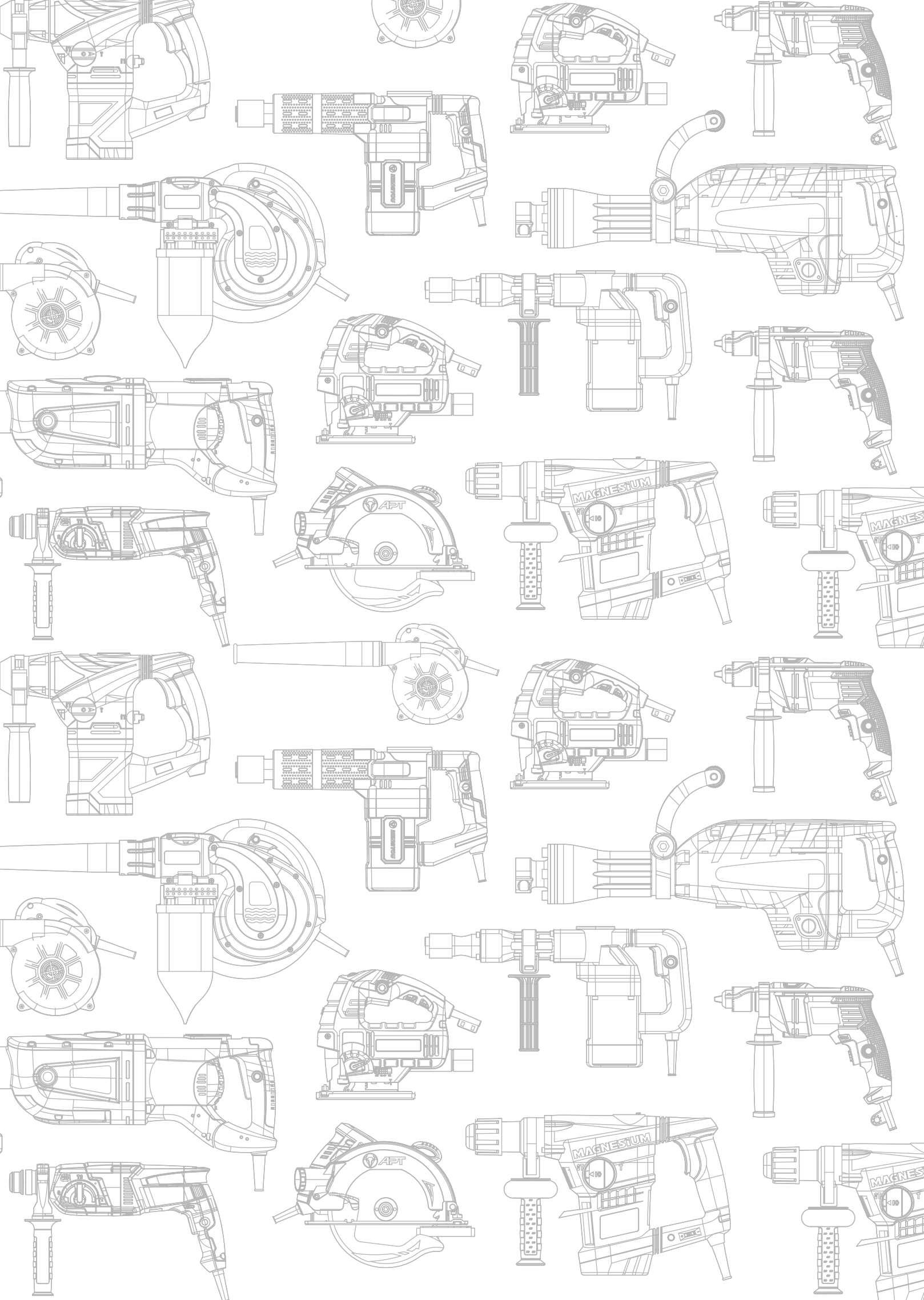
## 1800W Sliding Miter Saw Belt 12"

Patented double bell structure  
 Extra wide die cast base providing stability during the cutting process  
 Tool-free 45° provides stability when cutting work  
 Improved ergonomic handle design  
 Better grip, comfortable handling and precise control

### TECHNICAL DATA

Voltage	220-240V 50~60 Hz
Input Power	1800W
No-load Speed	3500 rpm
Blade Diameter	305 mm
Saw Blade Bore Diameter	φ30 φ25.4mm
Saw Body Tilting Range	0~45
Table Tilting Range	L45 ~R45
Max. workpiece dimensions 0°/90°	65x190 mm
Max. workpiece dimensions 45°/90°	65x140 mm
Max. workpiece dimensions 0°/45°	45x195 mm
Max. workpiece dimensions 45°/45°	45x135 mm
Weight	21.45 kg









## OTHER TOOLS

Blower / Heat Gun / Mitre / Drywall Sander / Chain Saw / Hedge Saw



The Name  
You Can Trust



## DW09320A 450W Electric Blower

Double function (In/Out)  
with lock on switch for easy control  
Light weight suitable for home use

### TECHNICAL DATA

Voltage	220-240V 50~60 Hz
Input Power	450W
No-load Speed	13000 rpm
Blowing Rate	2.3 m <sup>3</sup> /min
Weight	1.24 kg



## DW09320A-V2 450W Electric Blower

Long life, easy operation  
High temperature resistant copper wire  
Strong power,high efficient and durable

### TECHNICAL DATA

Voltage	220-240V 50~60 Hz
Input Power	450W
No-load Speed	13000 rpm
Blowing Rate	2.3 m <sup>3</sup> /min
Weight	1.54 kg



## DW09370-V2 600W Electric Blower

Long life, easy operation  
High temperature resistant copper wire  
Strong power,high efficient and durable

### TECHNICAL DATA

Voltage	220-240V 50~60 Hz
Input Power	600W
No-load Speed	5000-15000 rpm
Blowing Rate	2.8 m <sup>3</sup> /min
Weight	1.66 kg



## DW09800

## 650W Electric Blower

Double function (In/Out)  
Large cloth bag, firm and durable  
Efficient motor  
Less heat generation over long periods of operation

### TECHNICAL DATA

Voltage	220-240V 50~60 Hz
Input Power	650W
No-load Speed	14000 rpm
Blowing Rate	2.8 m <sup>3</sup> /min
Weight	2.11 kg



## DW09220

## 1500W Heat Gun

Powerful 1500-watt  
2-stage temperature selection for a variety of applications  
Compact, robust and durable

### TECHNICAL DATA

Voltage	220-240V 50~60 Hz
Input Power	1500W
Temperature	300/500 °C
Airflow	240/420 L/m
Weight	0.62kgs



## DW09250

## 2000W Heat Gun

Powerful 2000-watt  
2-stage temperature selection for a variety of applications  
Compact, robust and durable

### TECHNICAL DATA

Voltage	220-240V 50~60 Hz
Input Power	2000W
Temperature	350/600 °C
Airflow	---/480 L/min
Weight	0.75kgs



## DW09520

### 1220W Electric Mixer

Variable speed dial for optimized performance  
 Lock-on switch for continuous operation  
 Compact and robust design for improved control

#### TECHNICAL DATA

Voltage	220-240V 50~60 Hz
Power Input	1220 W
No-load Speed	800 rpm
Paddle connection thread	M14
Max. mixing paddle size	120mm
Weight	3.0 kg



## DW08249

### 710W Drywall and Ceiling Swivel Sander

Adjustable length  
 powerful motor delivering high speed  
 Flexible head

#### TECHNICAL DATA

Voltage	220-240V 50~60 Hz
Power Input	710 W
Speed	600-1500 rpm
Grinding Pad Diameter	215 mm
Sandpaper Diameter	225 mm
Tube Diameter	32 mm
Short-Length	1.23/1.65 m
Long-Length	2.2 m
Short/Long Weight	4.5/5.0 kg



## DW08252

### 820W Drywall and Ceiling Swivel Sander

Variable speed  
 Powerful self-vacuum  
 10W LED lights surrounding the pad with 3cm distance to the working area  
 Externally accessible brushes for greater service ability and longer motor life

#### TECHNICAL DATA

Voltage	220-240V 50~60 Hz
Input Power	820W
No-load Speed	600-1900 rpm
Platen Diameter	254 mm
Weight	3.5 kg



## DW07505

## 1400W Electric Chain Saw

Compact, robust and lightweight  
Automatic oil supply  
Powerful 1400-watt motor providing higher productivity  
Low noise emission

### TECHNICAL DATA

Voltage	220-240V 50~60 Hz
Input Power	1400W
Idle Speed	7000 rpm
Cutting Length	406mm
Oil tank capacity	220 ml
Cutting speed	12 m/s
Weight	5.0 kg



## DW07515

## 2200W Electric Chain Saw

### TECHNICAL DATA

Voltage	220-240V 50~60 Hz
Input Power	2200W
Rotation Frequency	6008 rpm
Bar Length	405mm
Motor Material	Copper



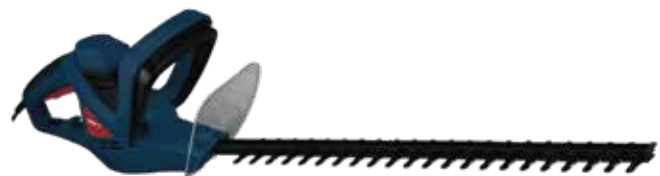
## DW10020

## 600W Electric Hedge Trimmer

Compact and ergonomic design  
Light weight, less fatigue and increased productivity  
Less down time hence lower operating cost  
Low noise emission  
No gas, emissions, oil mixing or pull starts  
Equipped with quick break to ensure operator's safety

### TECHNICAL DATA

Voltage	220-240V 50~60 Hz
Input Power	600W
No-load Speed	3300 rpm
Cutting Length	610mm
Cutting Diameter	16mm
Weight	3.7kg





## LED LIGHTS



The Name  
You Can Trust



## LHDL203R

## 200lm Rechargeable LED Headlamp

### TECHNICAL DATA

Flood	20-200 lumen
Spot	120 lumen
Spot	High power LED
Operating time	Flood 2.5-25h, Spot 3h
Charging time	3h
Battery	3.7V 1400mAh Li-poly
Protection class	IP54 / IK07
Dimensions	68x 34 x 40mm
Weight	95g



## HDL121R

## 120lm Recharge & Detachable LED Headlamp

### TECHNICAL DATA

Flood	60-120 lumen
Operating time	5h/2.5h
Charging time	2-3h
Battery	3.7V 800mAh Li-poly
Protection class	IP65, IK07
Dimensions	94 x 43 x 37mm
Weight	95g



## SLM351R

## 350lm Rechargeable Led mini torch

### TECHNICAL DATA

Flood	30-350 lumen
Top high power LED	100 lumen
Operating time	Flood 2-20 h, Spot 3.5 h
Charging time	2-3h
Battery	3.7V 1500mAh Li-poly
Protection class	IP54 / IK07
Dimensions	44 x 24 x 116mm
Weight	120g



# LED Light

## DW3000052

### 5W Mini Cordless standing flash light

Focus adjusting knob  
180 adjustable angle  
Convenient hook design for easy fixation on the jobsite

#### TECHNICAL DATA

Voltage	20 V
Battery capacity	2.0 Ah
Led power dissipation	5 W
Brightness (min/max)	150/300 Lm
Bare Weight	0.19 kg



Battery x1



Charger



## DW3000102

### 10W Cordless standing flash light

Long visual distance  
Energy Saving  
Adjustable brightness

#### TECHNICAL DATA

Voltage	20 V
Battery capacity	2.0 Ah
Led power dissipation	10 W
Brightness (min/max)	500/1000 Lm
Bare Weight	0.39 kg



Battery x1



Charger



## DW3000202

### 20W Cordless standing flash light

High-quality LED  
Tempered glass mask

#### TECHNICAL DATA

Voltage	20 V
Battery capacity	2.0 Ah
Led power dissipation	20 W
Brightness (min/max)	900/2000 lumens
Bare Weight	0.72 kg



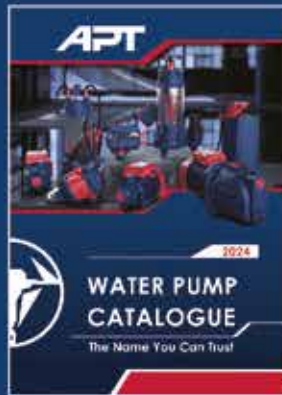
Battery x2



Charger



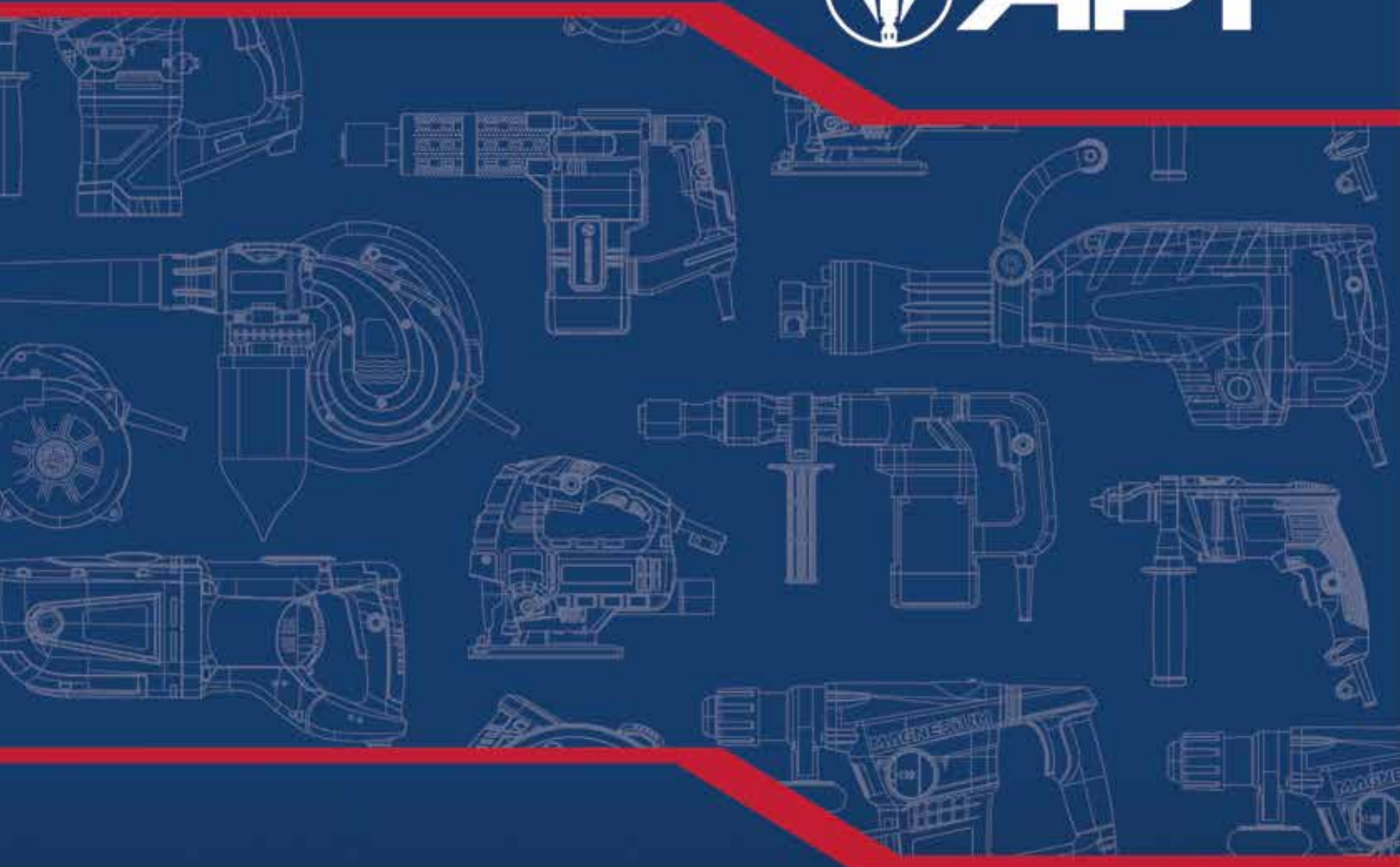
# Check Our Range



# APT

The Name You Can Trust





## Contact Us



[Info@apt-international.com](mailto:Info@apt-international.com)

